

ANTHÉMIS



MATERIALS

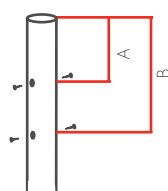
Bracket: mechanically welded aluminum

SURFACE TREATMENT

RAL hues, or structured paint optional
Baked (220°C) polyester powder coating

BRACKET/COLUMN JUNCTION

Adaptable bracket on Ø60 to 76mm (central Ø48.5mm minimum) columns
Sealing with column by integrated bracket cup
Fastening by pressure screws on the column



- A must be between 20 and 130 mm.
- B must be between 165 and 480 mm.

10° TILT

BRACKET/LUMINAIRE JUNCTION

70x40mm on-sliding sleeve mounting

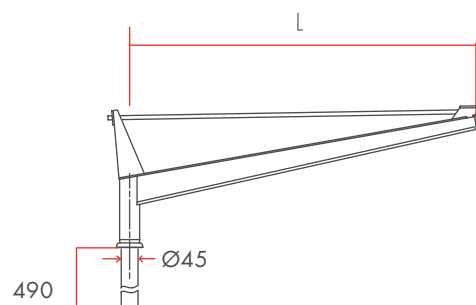
MURAL BRACKET MOUNTING

2 Ø14mm holes, inter-axial distance 190mm.

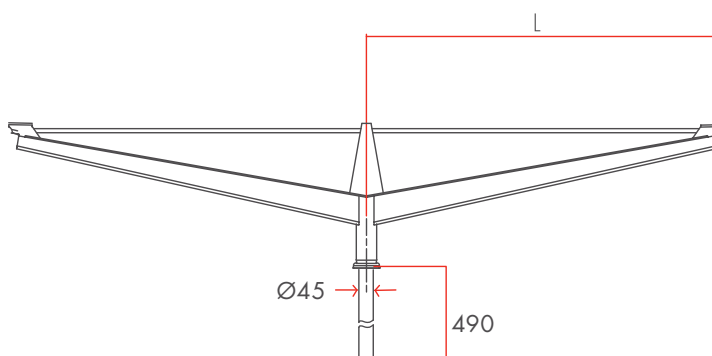
OFFSET LIGHT BRACKET MOUNTING

2 supplied M12 screws, inter-axial distance 190mm.

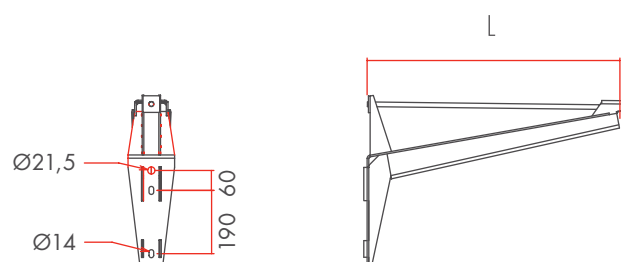
	L mm	WEIGHT kg	S C X m ²
SINGLE LIGHT	750	5,4	0,10
	1250	7,5	0,14
DOUBLE LIGHTS	750	9,3	0,18
	1250	15,5	0,31
MURAL	200	1,6	0,04
	750	4,4	0,10
OFFSET LIGHT	200	1,6	0,04
	750	4,4	0,10



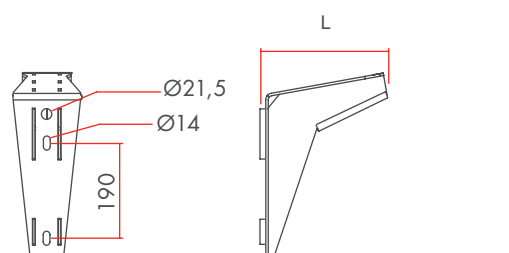
• ANTHÉMIS SINGLE LIGHT



• ANTHÉMIS DOUBLE LIGHTS



• ANTHÉMIS WALL AND OFFSET LIGHTS 750



• ANTHÉMIS WALL AND OFFSET LIGHTS 200