

CINÉA



MATERIALS

Bracket: mechanically welded aluminum.

SURFACE TREATMENT

Baked (220°C) polyester powder coating.

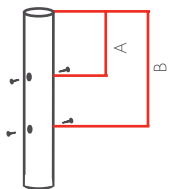
RAL colors or structured paint optional.

BRACKET/COLUMN JUNCTION

Adaptable bracket on Ø60 to 76mm columns (interior Ø48.5mm minimum)

Sealing with column by integrated bracket cup

Fastening by pressure screws on the column



- A must be between 20 and 130 mm.
- B must be between 165 and 480 mm.

5° TILT (10° AVAILABLE ON REQUEST)

BRACKET/LUMINAIRE JUNCTION

Ø60mm on-sliding sleeve mounting

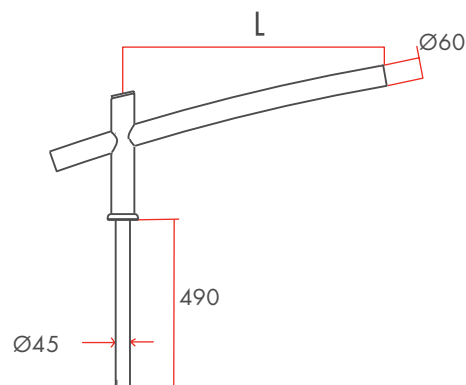
MURAL BRACKET MOUNTING

2 Ø14mm holes, inter-axial distance 220mm

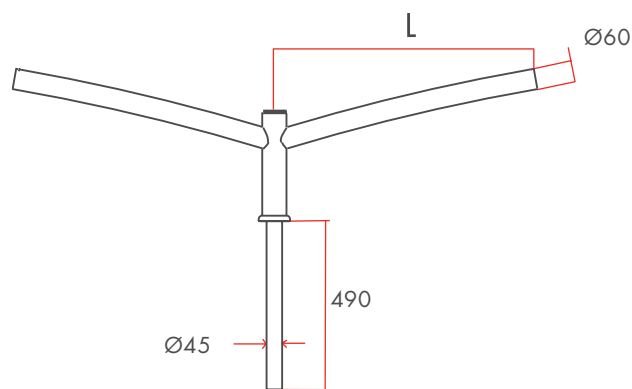
OFFSET LIGHT BRACKET MOUNTING

2 supplied M12 screws, inter-axial distance 220mm

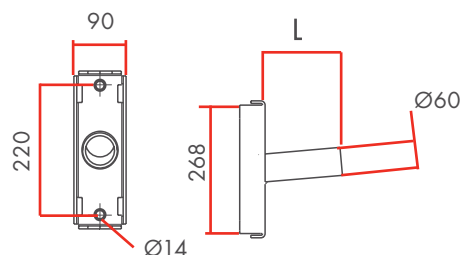
	L mm	WEIGHT kg	S C X m ²
SINGLE LIGHTS	750	4,6	0,10
	1000	5,2	0,11
	1200	5,7	0,13
DOUBLE LIGHTS	750	5,6	0,13
	1000	6,8	0,17
	1200	7,8	0,20
MURAL	200	1	0,02
	500	1,7	0,05
OFFSET LIGHT	200	1	0,02
	500	1,7	0,05



• CINÉA SINGLE LIGHT



• CINÉA DOUBLE LIGHTS



• CINÉA WALL AND OFFSET LIGHTS