

CITALIT



MATERIALS

Bracket: mechanically welded aluminum

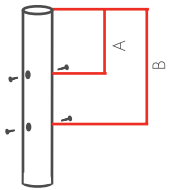
SURFACE TREATMENT

RAL hues, or structured paint optional
Baked (220°C) polyester powder coating

BRACKET/COLUMN JUNCTION

Adaptable bracket on Ø60 to 76mm (central Ø48.5mm minimum) columns

Sealing with column by integrated bracket cup
Fastening by pressure screws on the column



- A must be between 20 and 130 mm.
- B must be between 165 and 480 mm

10° TILT

BRACKET/LUMINAIRE JUNCTION

70x40mm on-sliding sleeve mounting

Bracket designed for the ECLISSE luminaire

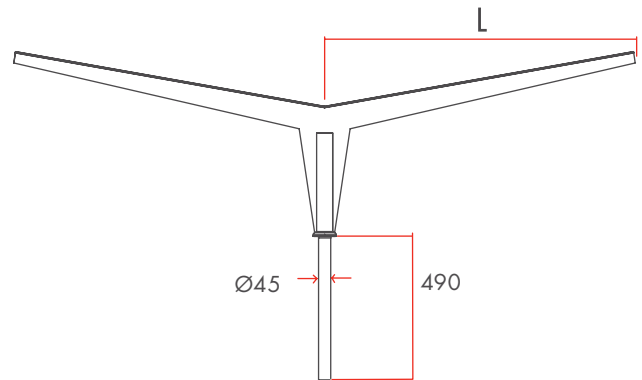
MURAL BRACKET MOUNTING

2 Ø14mm holes, inter-axial distance 190mm

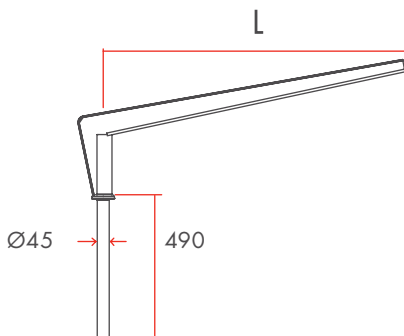
OFFSET LIGHT BRACKET MOUNTING

2 supplied M12 screws, inter-axial distance 190mm

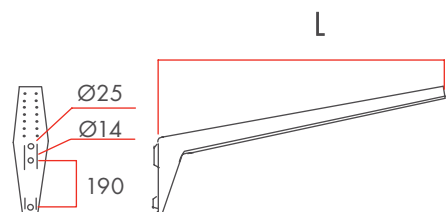
	L mm	WEIGHT kg	S C X m ²
SINGLE LIGHT	200	3,6	0,02
	750	5,7	0,09
	1200	7,6	0,14
DOUBLE LIGHTS	200	3,8	0,05
	750	7,9	0,19
	1200	12,3	0,30
MURAL	200	1,6	0,03
	750	3,8	0,11
	1200	5,5	0,18
OFFSET LIGHT	200	1,6	0,03
	750	3,8	0,10



• CITALIT DOUBLE LIGHTS



• CITALIT SINGLE LIGHT



• CITALIT WALL AND OFFSET LIGHTS