

C O U R B E



MATERIALS

Bracket: mechanically welded aluminum

SURFACE TREATMENT

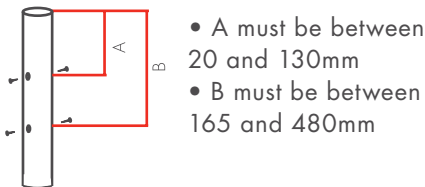
RAL hues, or structured paint optional
Baked (220°C) polyester powder coating

BRACKET/COLUMN JUNCTION

Adaptable bracket on $\varnothing 60$ to 76mm (central $\varnothing 48.5$ mm minimum) columns

Sealing with column by integrated bracket cup

Fastening by pressure screws on the column



5° TILT

BRACKET/LUMINAIRE JUNCTION

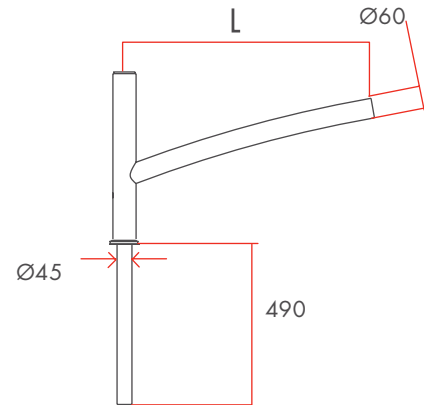
$\varnothing 60$ mm covering sleeve mounting

MURAL BRACKET MOUNTING

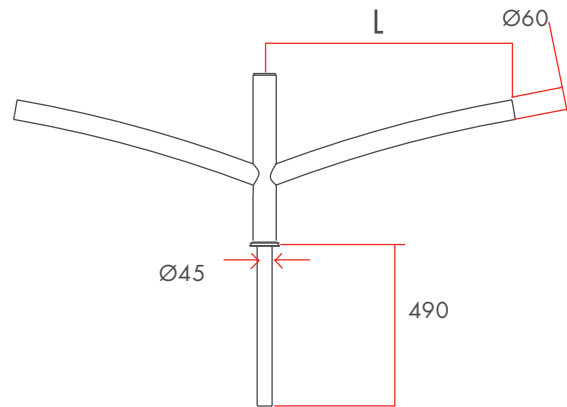
2 $\varnothing 14$ mm holes, inter-axial distance 220mm

OFFSET LIGHT BRACKET MOUNTING

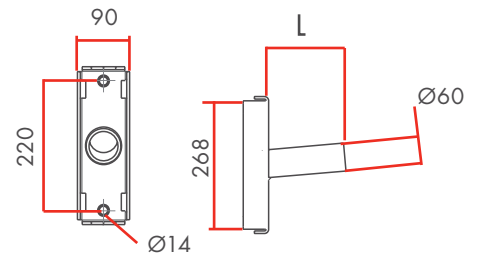
2 supplied M12 screws, inter-axial distance 220mm



• COURBE SINGLE LIGHT



• COURBE DOUBLE LIGHT



• COURBE WALL AND OFFSET LIGHTS

	L mm	WEIGHT kg	S C X m ²
SINGLE LIGHT	750	4,8	0,07
	1200	5,4	0,12
DOUBLE LIGHTS	750	6,9	0,14
	1200	7,8	0,24
MURAL	200	1	0,02
	500	1,7	0,05
OFFSET LIGHT	200	1	0,02
	500	1,7	0,05