

ÉVÊQUE



MATERIALS

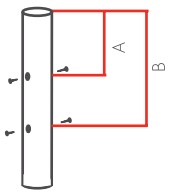
Hot dipped galvanized steel or combiend aluminum according to model

SURFACE TREATMENT

Black 2100 sanded RAL hue with standard **CILLA luminaire** Baked (220°C) polyester powder coating

BRACKET/COLUMN JUNCTION

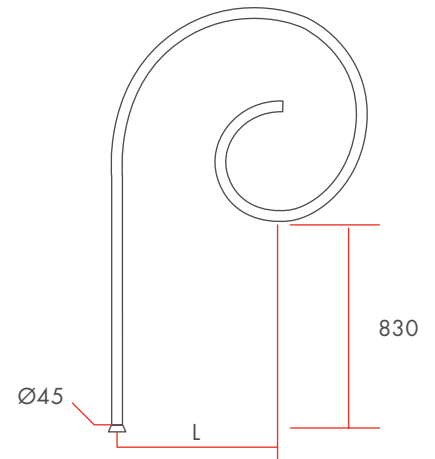
Adaptable bracket solely on Ø60mm (central Ø50mm minimum) column



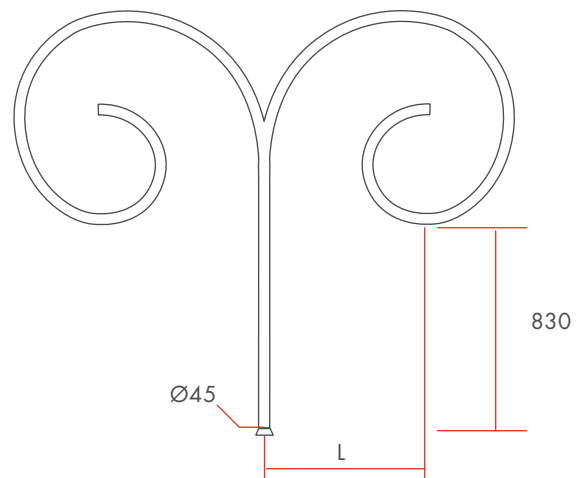
- A must be between 20 and 130 mm.
- B must be between 165 and 250 mm.

BRACKET/LUMINAIRE JUNCTION

Gas screw 26x34 (1") tube section, depth 50mm



• ÉVÊQUE SINGLE LIGHT



• ÉVÊQUE DOUBLE LIGHTS

	L mm	WEIGHT kg	S C X m ²
SINGLE LIGHT	750	13	0,18
DOUBLE LIGHTS	750	23	0,36