

F I L É O



MATERIALS

Bracket: mechanically welded aluminum

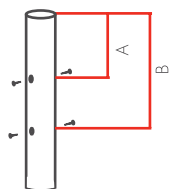
SURFACE TREATMENT

RAL hues, or structured paint optional
Baked (220°C) polyester powder coating

BRACKET/COLUMN JUNCTION

Adaptable bracket on Ø60 to 76mm (interior Ø48.5mm minimum) columns

Sealing with column by integrated bracket cup
Fastening by pressure screws on the column



- A must be between 20 and 130 mm.
- B must be between 165 and 480 mm.

10° TILT (5° AVAILABLE ON REQUEST)

BRACKET/LUMINAIRE JUNCTION

Ø60mm covering sleeve mounting

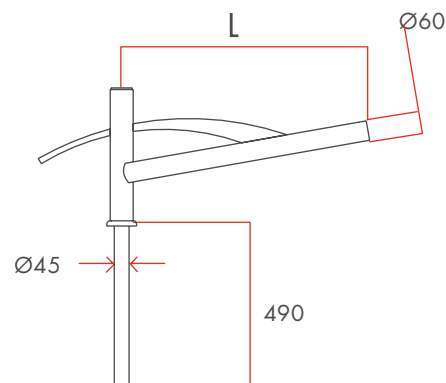
MURAL BRACKET MOUNTING

2 Ø14mm holes,
Inter-axial distance 220 mm for length 200 and 500
inter-axial distance 260mm for length 750

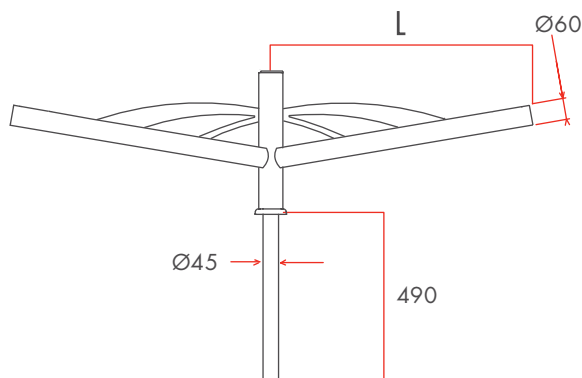
OFFSET LIGHT BRACKET MOUNTING

2 supplied M12 screws, inter-axial distance 260mm
Inter-axial distance 220 mm for length 200 and 500
inter-axial distance 260mm for length 750

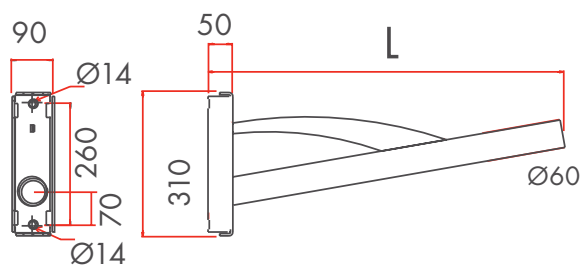
	L mm	WEIGHT kg	S C X m ²
SINGLE LIGHT	750	4,6	0,12
	1200	5,2	0,16
DOUBLE LIGHTS	750	6,7	0,16
	1200	7,6	0,23
MURAL	200	1	0,02
	500	1,7	0,05
	750	4,5	0,12
OFFSET LIGHT	200	1	0,02
	500	1,7	0,05



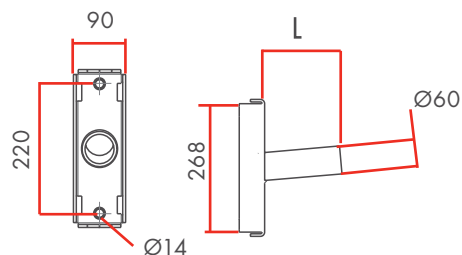
• FILÉO SINGLE LIGHT



• FILÉO DOUBLE LIGHTS



• FILÉO MURAL 750



• FILÉO WALL AND OFFSET LIGHTS 200 AND 500