

FLÈCHE



MATERIALS

Bracket: mechanically welded aluminum

SURFACE TREATMENT

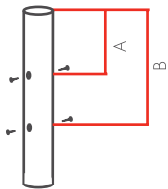
RAL hues, or structured paint optional
Baked (220°C) polyester powder coating

BRACKET/COLUMN JUNCTION

Adaptable bracket on Ø60 to 76mm (central Ø48.5mm minimum) columns

Sealing with column by integrated bracket cup

Fastening by pressure screws on the column



- A must be between 20 and 130mm
- B must be between 165 and 480mm

5° TILT (10° AVAILABLE ON REQUEST)

BRACKET/LUMINAIRE JUNCTION

Ø60mm covering sleeve mounting

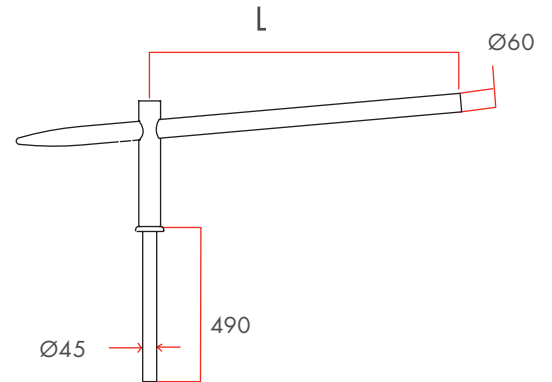
MURAL BRACKET MOUNTING

2 Ø14mm holes, inter-axial distance 220mm

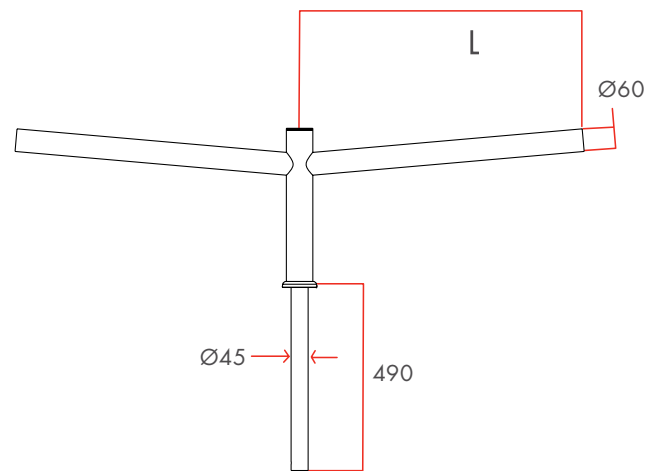
OFFSET LIGHT BRACKET MOUNTING

2 supplied M12 screws, inter-axial distance 220mm

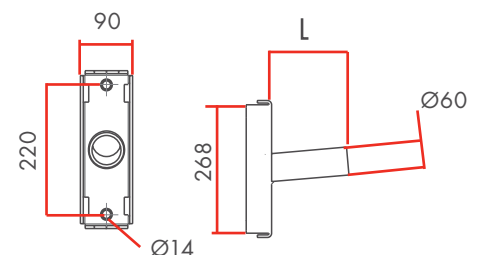
	L mm	WEIGHT kg	S C X m ²
SINGLE LIGHT	500	5,2	0,11
	750	5,8	0,12
	1000	6,4	0,14
	1200	7	0,16
DOUBLE LIGHTS	500	4,5	0,11
	750	5,6	0,16
	1000	6,8	0,20
	1200	7,7	0,23
MURAL	200	1	0,02
	500	1,7	0,05
OFFSET LIGHT	200	1	0,02
	500	1,7	0,05



• FLÈCHE SINGLE LIGHT



• FLÈCHE DOUBLE LIGHTS



• FLÈCHE WALL AND OFFSET LIGHTS