

IKALIT



MATERIALS

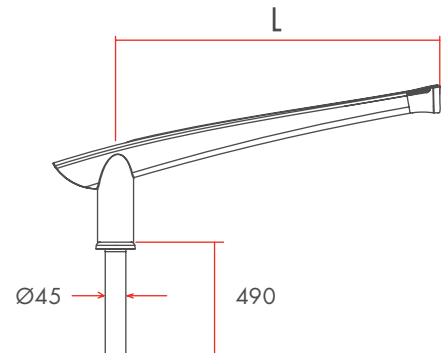
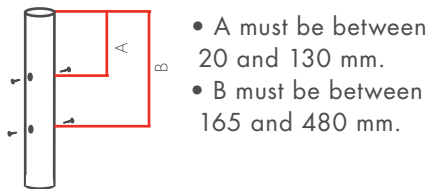
Bracket: die cast aluminum

SURFACE TREATMENT

RAL hues, or structured paint optional
Baked (220°C) polyester powder coating

BRACKET/COLUMN JUNCTION

Adaptable bracket on 48.5mm central Ø minimum and 60 to 76mm exterior Ø columns
Sealing with column by integrated bracket cup
Fastening by pressure screws on the column



• IKALIT SINGLE LIGHT

10° TILT

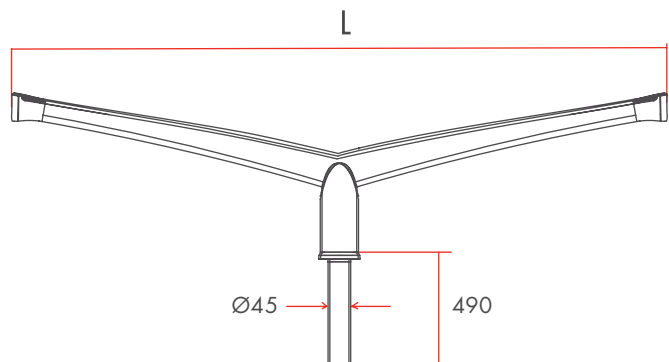
BRACKET/LUMINAIRE JUNCTION

Direct mounting using 4 M8 stainless steel screws + locknut
SECTION 80 x 35mm

Bracket designed for the SOLSTIS luminaire

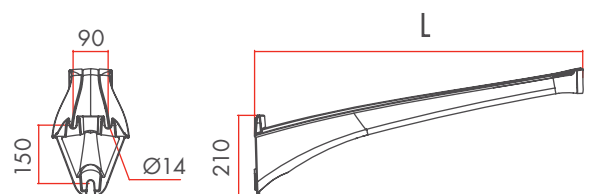
MURAL BRACKET MOUNTING

Ø14mm holes for M12 screws, inter-axial distance 150mm



• IKALIT DOUBLE LIGHT

	L mm	WEIGHT kg	S C X m ²
SINGLE LIGHT	756	6,5	0,07
DOUBLE LIGHTS	1512	12	0,14
MURAL	850	6,0	0,08



• IKALIT MURAL