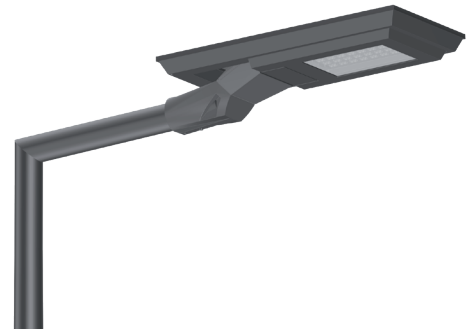


KC



MATERIALS

Bracket: mechanically welded aluminum

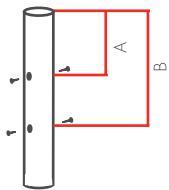
SURFACE TREATMENT

RAL hues, or structured paint optional
Baked (220°C) polyester powder coating

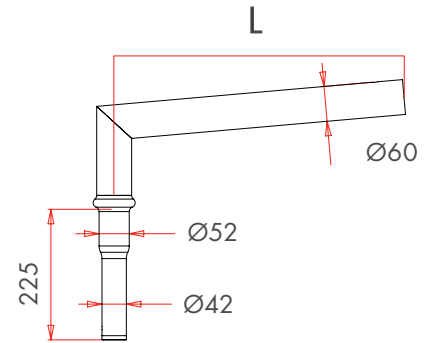
BRACKET/COLUMN JUNCTION

Adaptable bracket on Ø60 to 76mm (central Ø48.5mm minimum) columns

Sealing with column by integrated bracket cup
Fastening by pressure screws on the column



- A must be between 20 and 130mm
- B must be between 165 and 480mm



• KC SINGLE LIGHT

5° TILT (10° AVAILABLE ON REQUEST)

BRACKET/LUMINAIRE JUNCTION

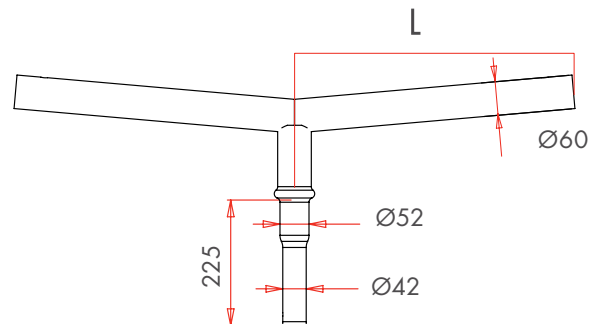
Ø60mm covering sleeve mounting

MURAL BRACKET MOUNTING

2 Ø14mm holes, inter-axial distance 220mm

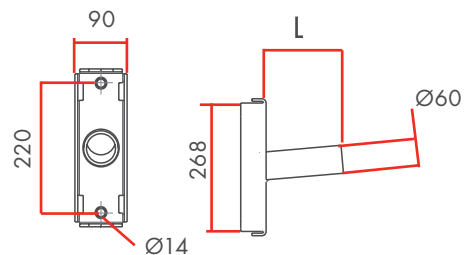
OFFSET LIGHT BRACKET MOUNTING

2 supplied M12 screws, inter-axial distance 220mm



• KC DOUBLE LIGHTS

	L mm	WEIGHT kg	S C X m ²
SINGLE LIGHT	300	1	0,02
	500	1,2	0,04
	1000	1,6	0,09
DOUBLE LIGHTS	300	1,2	0,04
	500	2,0	0,07
	1000	2,4	0,12
MURAL	200	1	0,02
	500	1,7	0,05
OFFSET LIGHT	200	1	0,02
	500	1,7	0,05



• KC WALL AND OFFSET LIGHT