

LITTORAL



MATERIALS

Bracket: mechanically welded aluminum

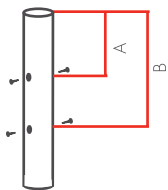
SURFACE TREATMENT

RAL hues, or structured paint optional
Baked (220°C) polyester powder coating

BRACKET/COLUMN JUNCTION

Adaptable bracket on Ø60 to 76mm (interior Ø48.5mm minimum) columns

Sealing with column by integrated bracket cup
Fastening by pressure screws on the column



- A must be between 20 and 130 mm.
- B must be between 165 and 480 mm.

10° TILT

BRACKET/LUMINAIRE JUNCTION

Ø60mm covering sleeve mounting

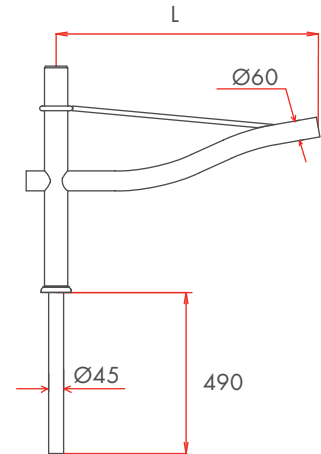
MURAL BRACKET MOUNTING

2 Ø14mm holes
Inter-axial distance 260mm

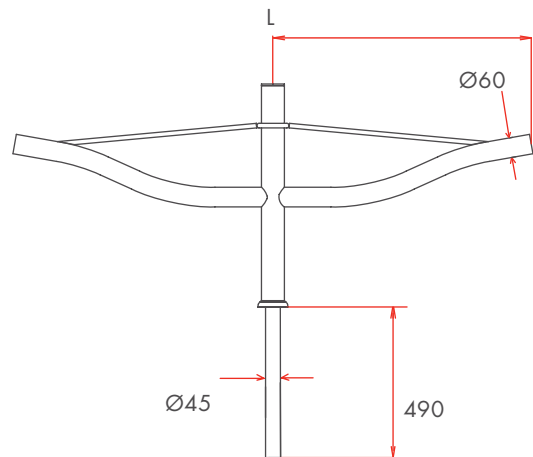
OFFSET LIGHT BRACKET MOUNTING

2 supplied M12 screws
Inter-axial distance 260mm

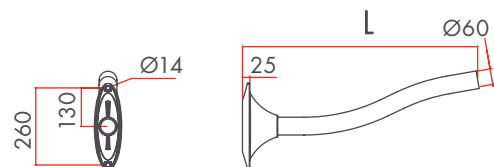
	L mm	WEIGHT kg	S C X m ²
SINGLE LIGHT	800	3,8	0,09
DOUBLE LIGHTS	800	6,0	0,18
	300	1,4	0,03
MURAL	500	1,9	0,05
	750	2,5	0,07
OFFSET LIGHT	300	1,4	0,03
	500	1,9	0,05



• LITTORAL SINGLE LIGHT



• LITTORAL DOUBLE LIGHTS



• LITTORAL WALL AND OFFSET LIGHTS 750



• LITTORAL WALL AND OFFSET LIGHTS 300 AND 500