

MARQUIZ



MATERIALS

Bracket: mechanically welded aluminum

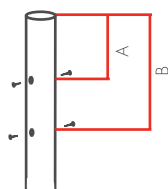
SURFACE TREATMENT

RAL hues, or structured paint optional
Baked (220°C) polyester powder coating

BRACKET/COLUMN JUNCTION

Adaptable bracket on Ø60 to 76mm (central Ø48.5mm minimum) columns

Sealing with column by integrated bracket cup
Fastening by pressure screws on the column



- A must be between 20 and 130mm
- B must be between 165 and 480mm

10° TILT (5° AVAILABLE ON REQUEST)

BRACKET/LUMINAIRE JUNCTION

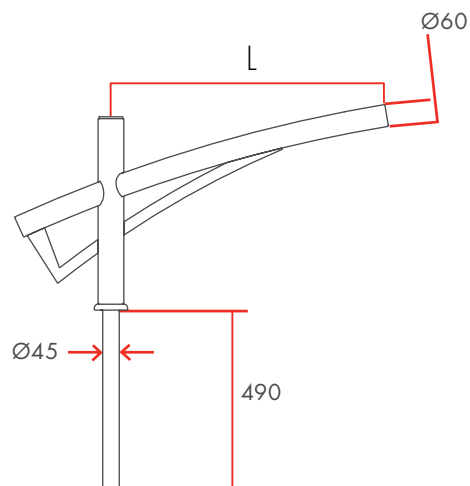
Ø60mm covering sleeve mounting

MURAL BRACKET MOUNTING

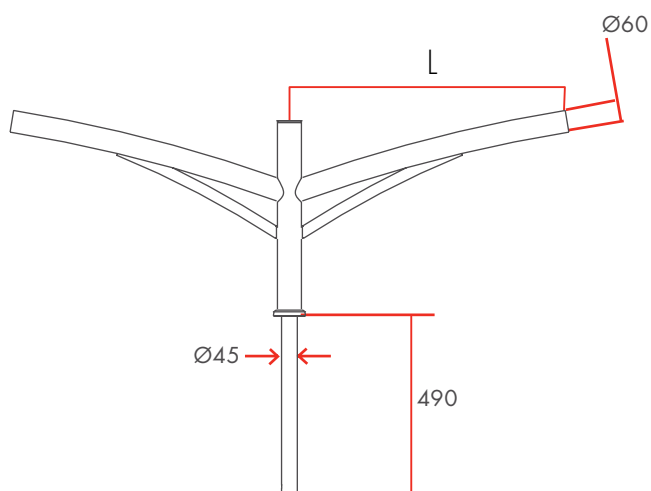
2 Ø14mm holes, inter-axial distance 220mm

OFFSET LIGHT BRACKET MOUNTING

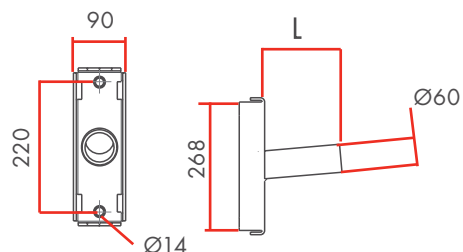
2 supplied M12 screws, inter-axial distance 220mm



• MARQUIZ SINGLE LIGHT



• MARQUIZ DOUBLE LIGHTS



• MARQUIZ WALL AND OFFSET LIGHTS

	L mm	WEIGHT kg	S C X m ²
SINGLE LIGHT	750	4,1	0,14
	1200	5	0,16
DOUBLE LIGHT	750	7,5	0,19
	1200	8,5	0,23
MURAL	200	1	0,02
	500	1,7	0,05
OFFSET LIGHT	200	1	0,02
	500	1,7	0,05