

MISTRAL



MATERIALS

Bracket: mechanically welded aluminum

SURFACE TREATMENT

RAL hues, or structured paint optional

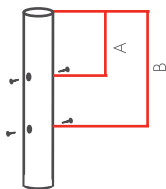
Baked (220°C) polyester powder coating

BRACKET/COLUMN JUNCTION

Adaptable bracket on Ø60 to 76mm (interior Ø48.5mm minimum) columns

Sealing with column by integrated bracket cup

Fastening by pressure screws on the column



- A must be between 20 and 130 mm.
- B must be between 165 and 480 mm.

5° TILT (10° AVAILABLE ON REQUEST)

BRACKET/LUMINAIRE JUNCTION

Ø60mm covering sleeve mounting

MURAL BRACKET MOUNTING

2 Ø14mm holes

Inter-axial distance 220 mm for length 200

inter-axial distance 300mm for length 500 and 750

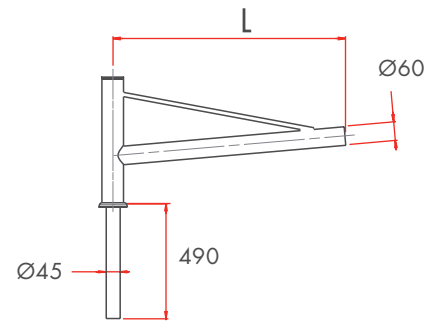
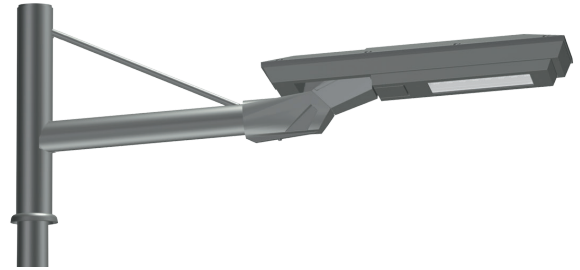
OFFSET LIGHT BRACKET MOUNTING

2 supplied M12 screws

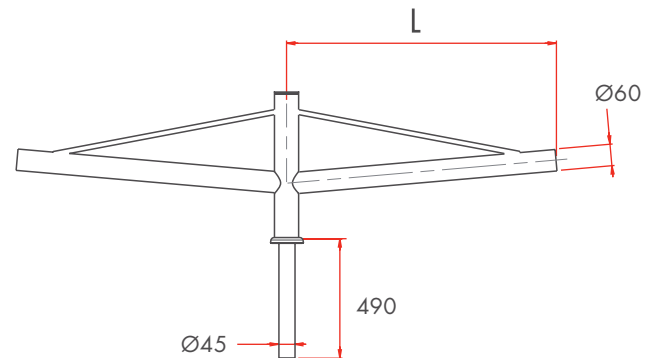
Inter-axial distance 220 mm for length 200

inter-axial distance 300mm for length 500

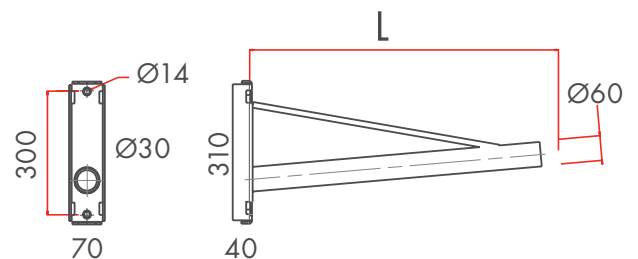
	L mm	WEIGHT kg	S C X m ²
SINGLE LIGHT	500	3,5	0,06
	750	4,2	0,07
	1000	4,8	0,09
	1200	5,4	0,10
DOUBLE LIGHTS	500	4,7	0,09
	750	6,0	0,12
	1000	7,5	0,15
	1200	8,6	0,17
MURAL	200	1	0,02
	500	1,3	0,04
	750	1,9	0,06
OFFSET LIGHT	200	1	0,02
	500	1,3	0,04



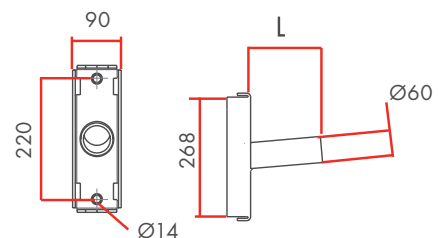
• MISTRAL SINGLE LIGHT



• MISTRAL DOUBLE LIGHTS



• MISTRAL MURAL 500, 750 AND OFFSET LIGHT 500



• MISTRAL WALL AND OFFSET LIGHT 200