

SAGA



MATERIALS

Bracket: mechanically welded aluminum.

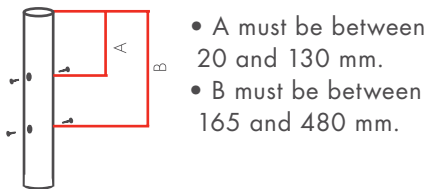
SURFACE TREATMENT

RAL hues, or structured paint optional
Baked (220°C) polyester powder coating

BRACKET/COLUMN JUNCTION

Adaptable bracket solely on Ø60 to 76mm (central Ø48.5mm minimum) columns

Sealing with column by integrated bracket cup
Fastening by pressure screws on the column



5°TILT

BRACKET/LUMINAIRE JUNCTION

Ø60mm sleeve mounting

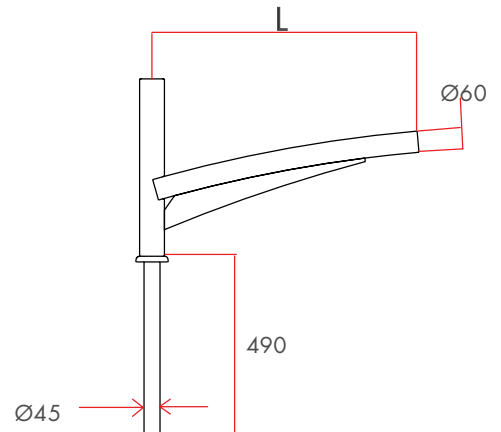
MURAL BRACKET MOUNTING

2 Ø14mm diameter holes
Inter-axial distance 220mm

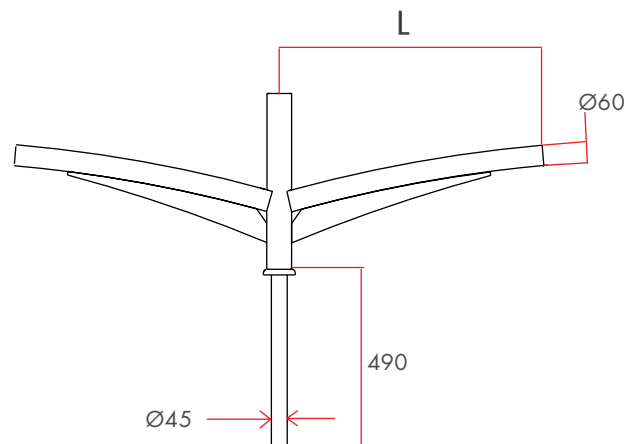
OFFSET LIGHT BRACKET MOUNTING

2 supplied M12 screws
Inter-axial distance 220mm.

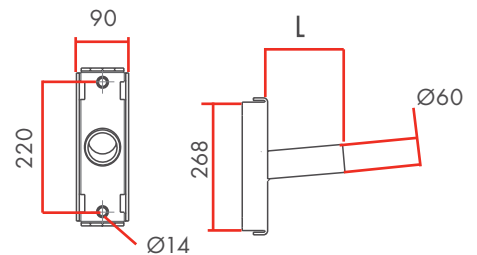
	L mm	WEIGHT kg	S C X m ²
SINGLE LIGHT	750	4,8	0,07
	1200	5,4	0,12
DOUBLE LIGHTS	750	6,9	0,14
	1200	7,8	0,24
MURAL	200	1	0,02
	500	1,7	0,05
OFFSET LIGHT	200	1	0,02
	500	1,7	0,05



• SAGA SINGLE LIGHT



• SAGA DOUBLE LIGHTS



• SAGA MURAL AND OFFSET LIGHTS