

SOFIANE



MATERIALS

Bracket: mechanically welded aluminum

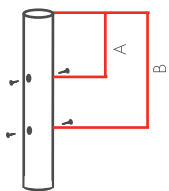
SURFACE TREATMENT

RAL hues, or structured paint optional
Baked (220°C) polyester powder coating

BRACKET/COLUMN JUNCTION

Adaptable bracket on Ø60 to 76mm (central Ø48.5mm minimum) columns

Sealing with column by integrated bracket cup
Fastening by pressure screws on the column



- A must be between 20 and 130 mm.
- B must be between 165 and 480 mm.

10° TILT

BRACKET/LUMINAIRE JUNCTION

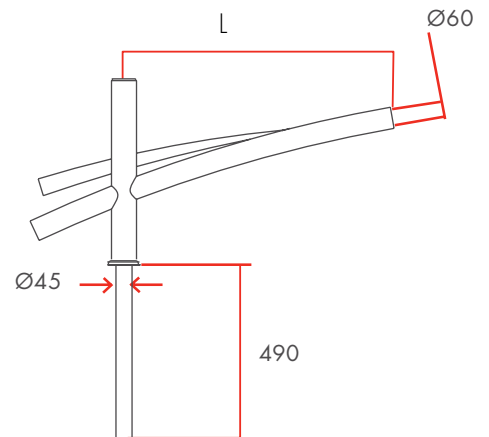
Covering Ø60mm sleeve mounting

MURAL BRACKET MOUNTING

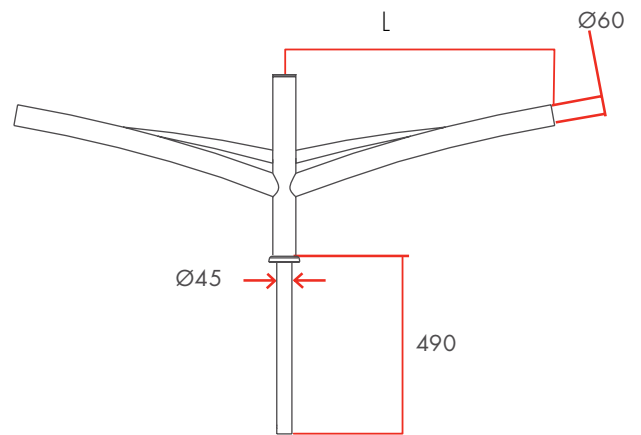
2 x Ø14mm holes
Inter-axial distance 220mm

OFFSET LIGHT BRACKET MOUNTING

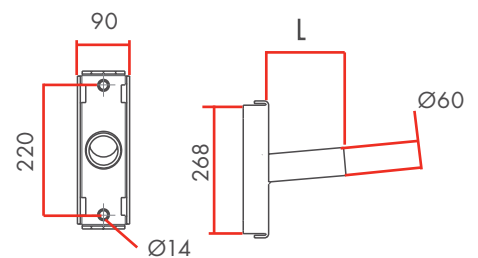
2 supplied M12 screws
Inter-axial distance 220mm



• SOFIANE SINGLE LIGHT



• SOFIANE DOUBLE LIGHTS



• SOFIANE MURAL AND OFFSET LIGHTS

	L mm	WEIGHT kg	S C X m ²
SINGLE LIGHT	750	4,8	0,07
	1200	5,4	0,12
DOUBLE LIGHTS	750	6,9	0,14
	1200	7,8	0,24
MURAL	200	1	0,02
	500	1,7	0,05
OFFSET LIGHT	200	1	0,02
	500	1,7	0,05