

T E N D I S



MATERIALS

Bracket: mechanically welded aluminum

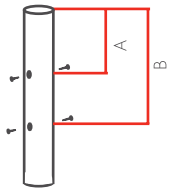
SURFACE TREATMENT

RAL hues, or structured paint optional
Baked (220°C) polyester powder coating

BRACKET/COLUMN JUNCTION

Adaptable bracket on Ø60 to 76mm (interior Ø48.5mm minimum) columns

Sealing with column by integrated bracket cup
Fastening by pressure screws on the column



- A must be between 20 and 130 mm.
- B must be between 165 and 500 mm.

10° TILT (5° AVAILABLE ON REQUEST)

BRACKET/LUMINAIRE JUNCTION

Ø60mm covering sleeve mounting

MURAL BRACKET MOUNTING

2 Ø14mm holes

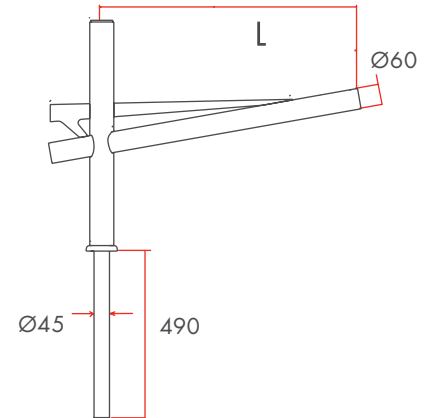
Inter-axial distance 220 mm for lengths 200 and 500
inter-axial distance 260mm for length 750

OFFSET LIGHT BRACKET MOUNTING

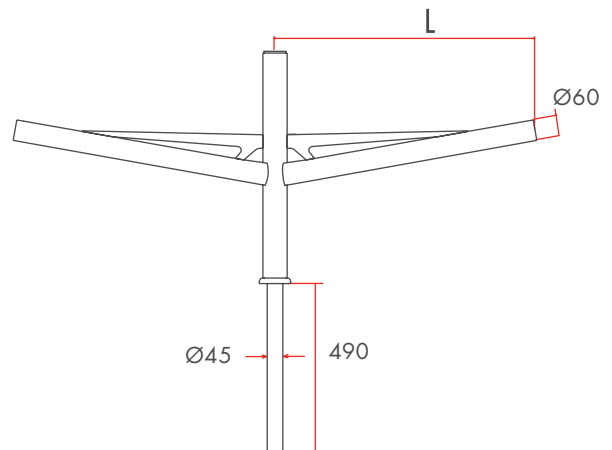
2 supplied M12 screws

Inter-axial distance 220 mm for lengths 200 and 500
inter-axial distance 260mm for length 750

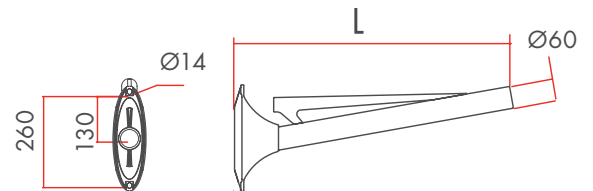
| | L mm | WEIGHT kg | S C X m ² |
|---------------|---------|--------------|-------------------------|
| SINGLE LIGHT | 750 | 4,8 | 0,12 |
| | 1200 | 5,4 | 0,16 |
| DOUBLE LIGHTS | 750 | 6,9 | 0,16 |
| | 1200 | 7,8 | 0,23 |
| MURAL | 200 | 1 | 0,02 |
| | 500 | 1,7 | 0,05 |
| | 750 | 2,5 | 0,07 |
| OFFSET LIGHT | 200 | 1 | 0,02 |
| | 500 | 1,7 | 0,05 |
| | 750 | 2,5 | 0,07 |



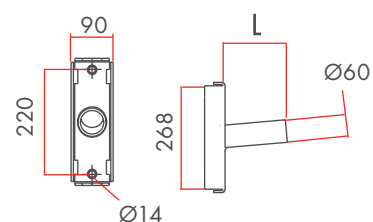
• TENDIS SINGLE LIGHT



• TENDIS DOUBLE LIGHTS



• TENDIS MURAL LIGHT 750



• TENDIS MURAL AND OFFSET LIGHTS 200 AND 500