

TOPAZ



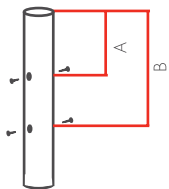
MATERIALS

Bracket: die-cast aluminum

BRACKET/COLUMN JUNCTION

- TOPAZ bracket for Ø60mm column
Ø60-62 top cover column fitting
Fastening by 4 M10 stainless steel setscrews

- TOPAZ bracket for Ø76mm column
Ø76 top cover column fitting
Fixing: use the column's Ø76mm screws



- A must be between 20 and 130 mm.
- B must be between 165 and 230 mm.

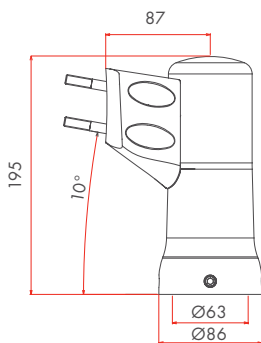
BRACKET/LUMINAIRE JUNCTION

Direct mounting using 4 stainless steel M8 screws + locknut

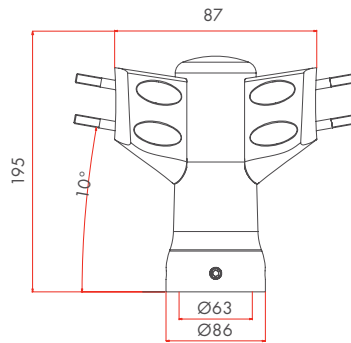
Inter-axial distance 80x35mm

Tilt 10°

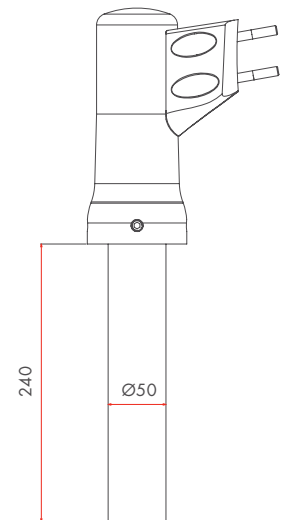
Bracket designed for SOLSTIS and HID PEDESTRIAN ECLISSE luminaires



• TOPAZ 60 SINGLE LIGHT



• TOPAZ 60 DOUBLE LIGHTS



• TOPAZ 76 SINGLE LIGHT

Ø60	WEIGHT	S	C	X
	kg		m ²	
SINGLE LIGHT	2,5		0,02	
DOUBLE LIGHTS	3,0		0,04	
TRIPLE LIGHTS	3,5		0,04	

Ø76	WEIGHT	S	C	X
	kg		m ²	
SINGLE LIGHT	2,7		0,02	
DOUBLE LIGHTS	3,2		0,04	
TRIPLE LIGHTS	3,7		0,04	