

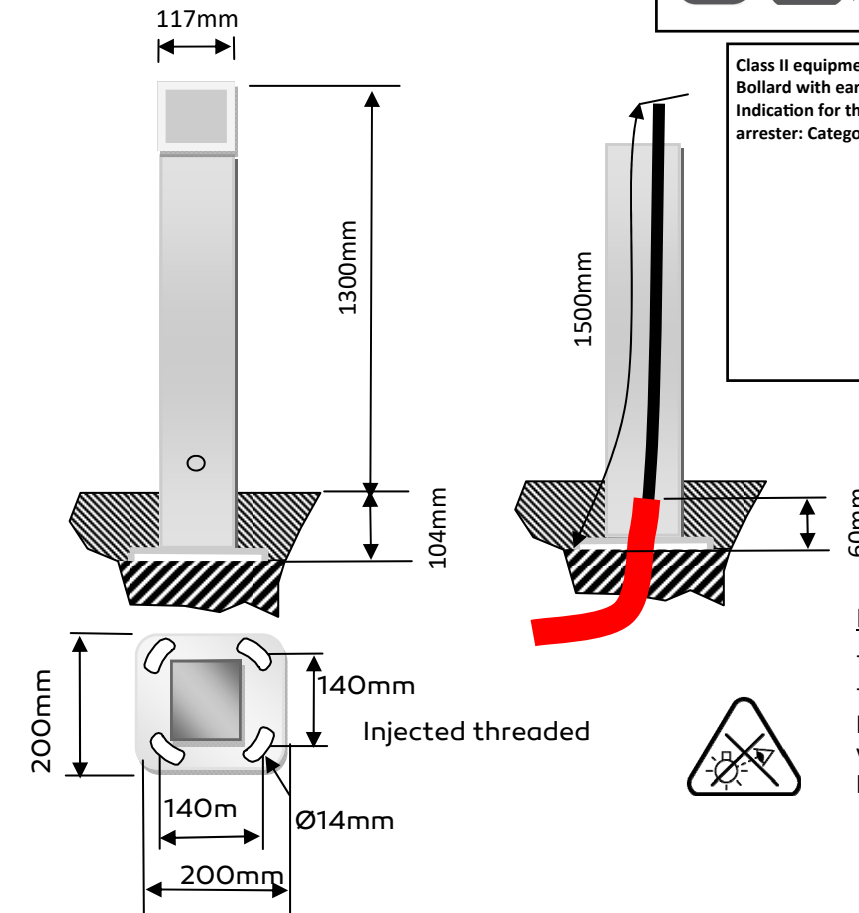
S-PASS BOLLARD

Assembly instructions

IP44	IK10	CE	Ta 25°C	maintenance
------	------	----	---------	-------------

Class II equipment
Bollard with earth connection
Indication for the implementation of a lightning
arrester: Category 1 electronic equipment

15 kg	4W Power factor ≥ 0.90
-------	------------------------------



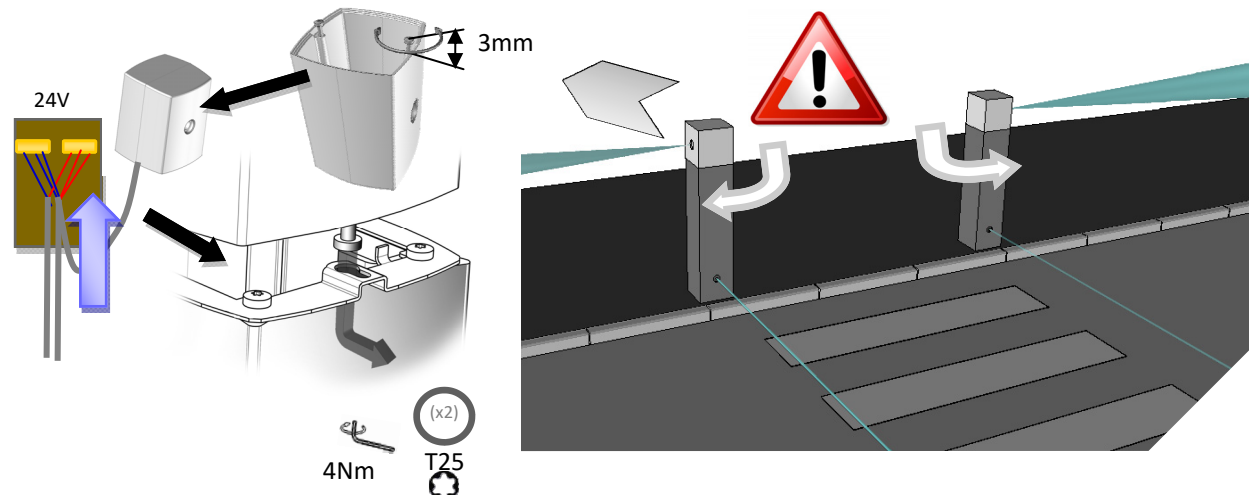
BLUE SPOT:

- Do not fix the light source
- It is appropriate for the luminaire to be positioned in such a way that the prolonged viewing of the luminaire at a distance of less than 3.5 m is not expected



Head assembly

Spot (unpolarized) flashing Connection S1	
Spot (unpolarized) fixed Connection S2	



Technical data

Equipments

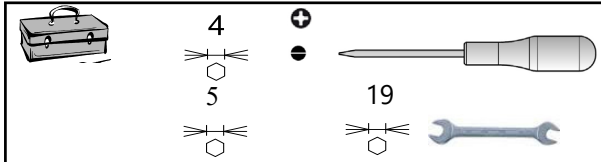
Each S-Pass terminal is equipped with:
 2 LED spots powered by very low voltage 24 volts and with a total power of 4 watts,
 a 24V connection terminal block with a capacity of 3 cables of 2 x 1.5 mm² to 2 x 4 mm².
 The connection box is equipped with
 a transformer (230 / 24V 20W max- 50-60 Hz) very low safety voltage (SELV),
 a 230 V connection terminal block with a capacity of 2 x 1.5 mm² to 2 x 6 mm² HO3RR-F rubber
 a circuit-breaker with a 4A Gg fuse
 a lug of 25 mm² and a lug of 6 mm² allowing the earthing of the bollard according to the electrical
 constraints of the C17-200 installation standard

Wiring

The connection box can be installed either inside the bollard. In this case, the bollard must be connected to the earth, either in the nearby area (foot of post). In this case, it is not necessary to connect the bollard to the earth.

The protection against electric shock is based on the VERY LOW VOLTAGE safety (SELV) supply.

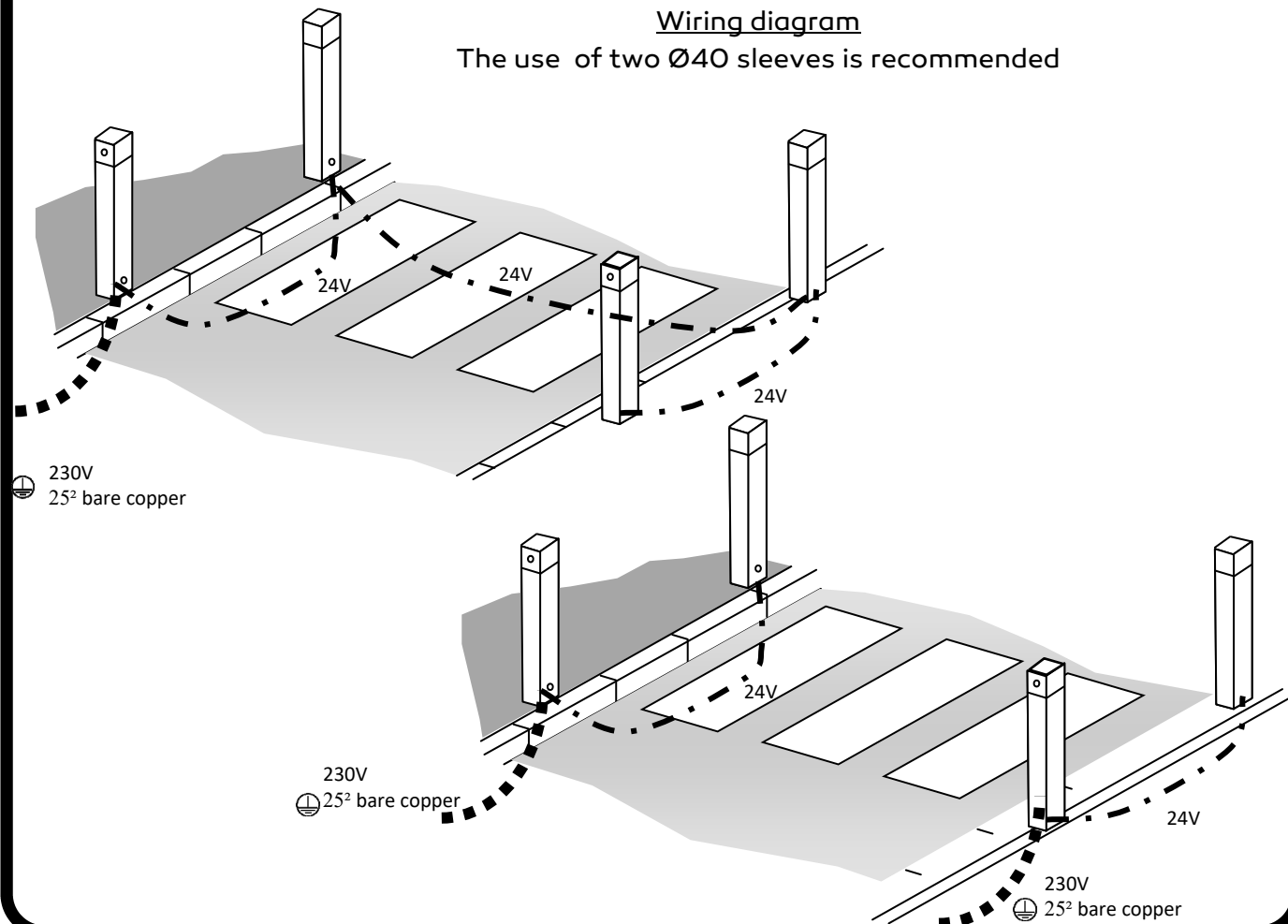
Assembly



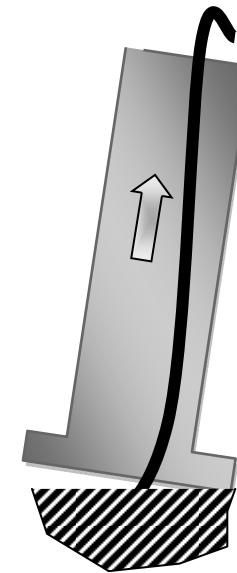
Recommended configurations

Wiring diagram

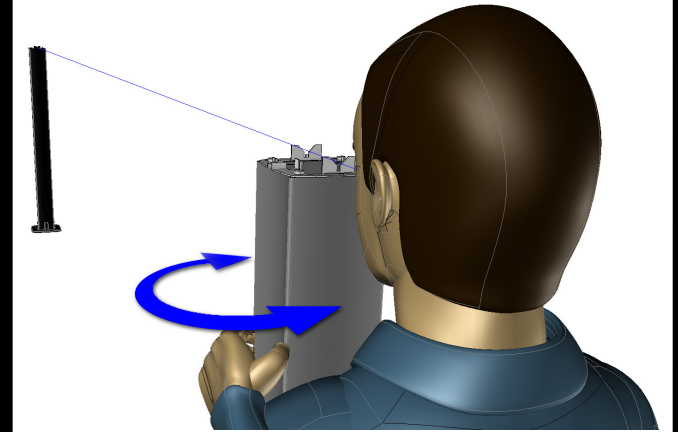
The use of two Ø40 sleeves is recommended



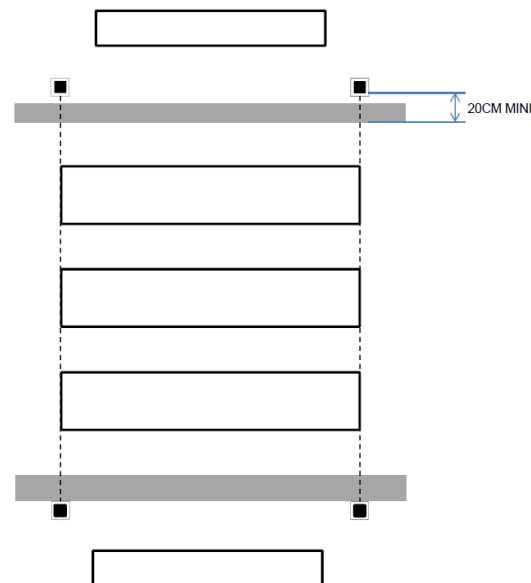
Drill the concrete base, and seal the threaded rods to the chemical seal.
Run the cables through the bollard.



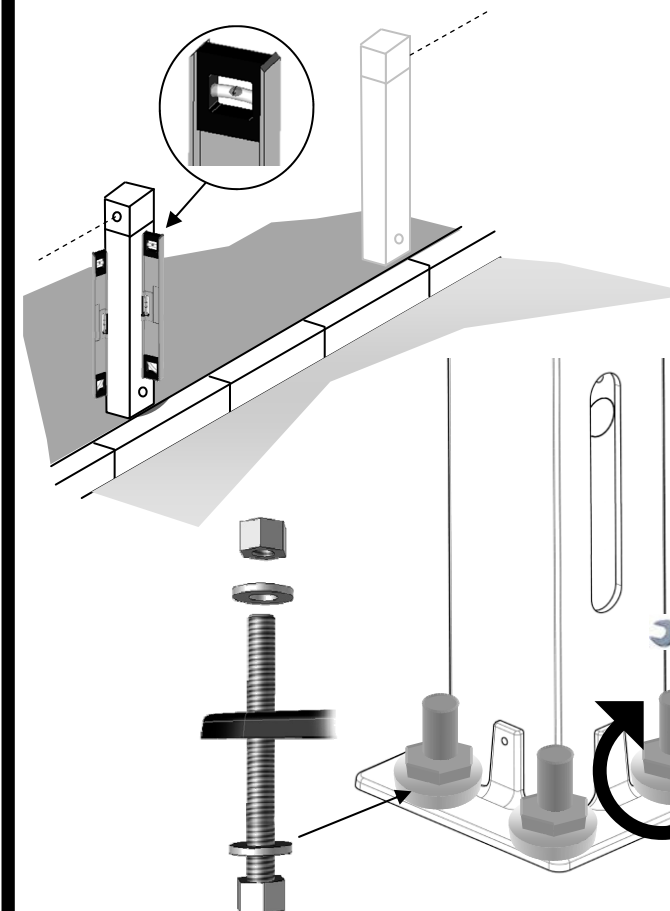
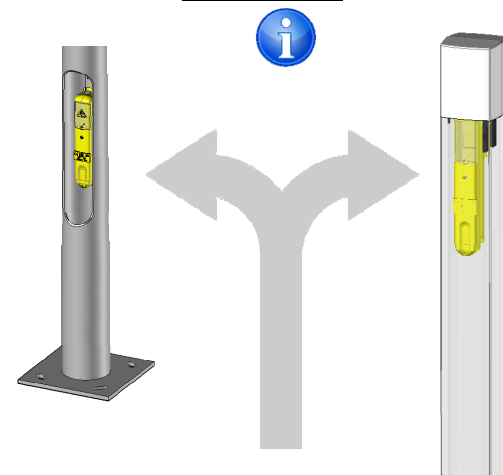
Visually align the bollards



The bollards must be installed at the curb, the beam aligned at the edges of the marking on the ground (white stripes)



It is possible to install the box outside the bollard



Height adjustment of the bottom spot

