



# S-Pass S-Pass +

Pedestrian crossing safety.



Design & production  
made in France





# S-Pass

**S-Pass is a high-visibility LED bollard** that can be installed in urban, suburban or rural areas (height of 1300 mm above the ground).

The special feature of the S-Pass bollard is the creation of a blue luminous marking running along the edges of the pedestrian crossing, coupled with a warning light pointing in both directions.

The visual marking created on the pedestrian crossing by S-Pass draws the attention of drivers and encourages them to slow down.

Pedestrian crossings are safer because they are easier to see.

During the day, the contrasting colours make it easier to identify the street furniture: white head on grey body with curved sides.

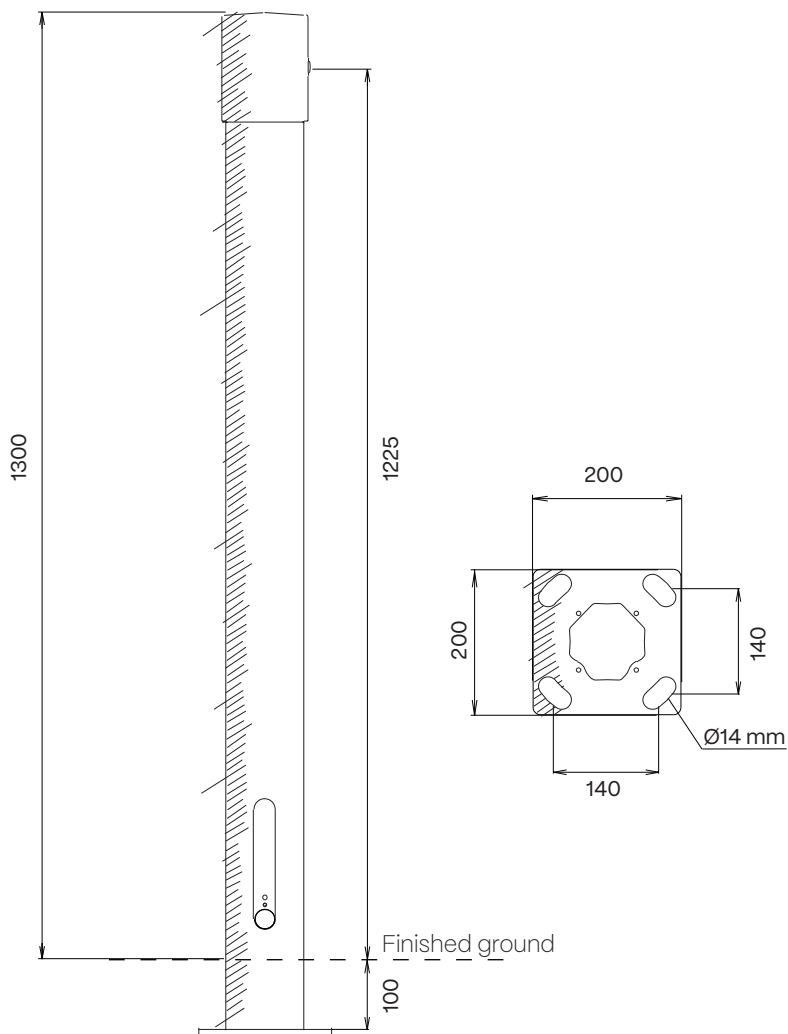








- High visibility bollard: 1300 mm above ground level
- Recommended street width: up to 10 m
- IK10 impact resistance
- IP44 bollard
- Class II equipment
- Bollard with earthing terminal
- Surge protector
- 98% recyclable at the end of its service life

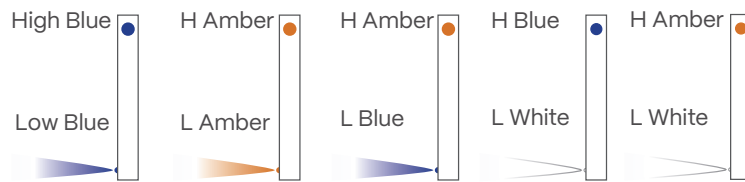


- Easy installation and removal using a screw-in base, 140x140 mm spacing
- Threaded anchoring rods included (for the bollards)

- RAL of your choice for the body (except white, mandatory contrast with the head)

- Different beam color combinations available:

- Bollard without lighting
- Upper beam flashing
- Other colors possible on request



Standard version: High blue, Low blue.



## 2 concepts to make pedestrian crossings safer

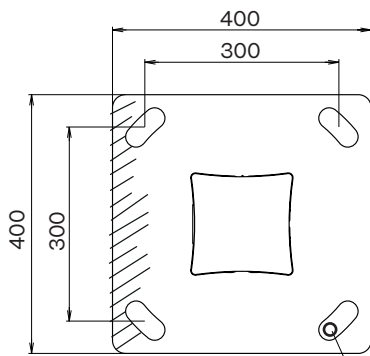
Crossing on an identifiable, marked pedestrian crossing with visible boundaries is intuitively safer.

# Mobility and night-time safety

## Strengths

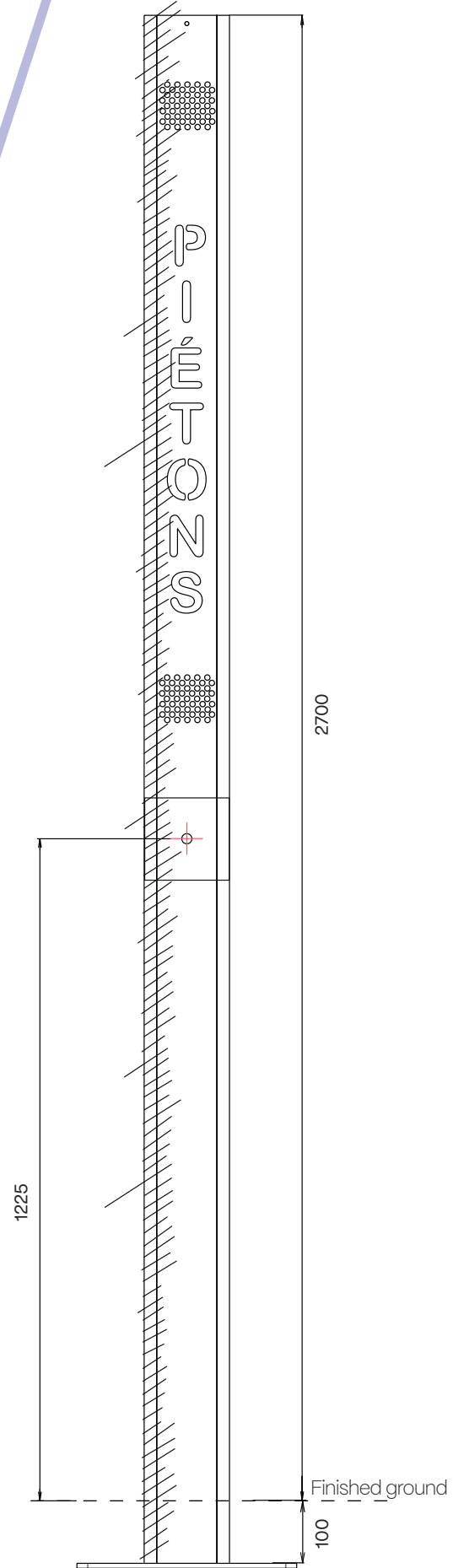
- Blue light beam along both edges of the pedestrian crossing
- Warning light on top of the bollards
- The crossing is more visible to drivers
- Increased pedestrian safety
- Bollard power supply 24V Separated Extra Low Voltage (SELV)
- 4W low consumption LED lighting concept
- Interchangeable, compact, blue light source
- 50,000 hours minimum service life
- Continuous operation provided by a CAS 24V back-up power supply box
- Isolis solar power supply available

- Marking light column: 2700 mm high above ground
- Quadricurve section 166 mm
- IK10 impact resistance
- IP44 column
- Class II equipment
- Column with earth connection
- Surge protector (230V)
- 98% recyclable at end of life



M24 max

(rods not supplied with the columns)





# S-Pass+

**S-Pass+ is an illuminated column with curved sides with a prevention message\* combined with a high-visibility LED bollard.**

The special feature of the S-Pass+ system is the blue column lighting which is activated when a pedestrian uses the crossing, and the creation of blue lighting to mark the edges of the pedestrian crossing.

During the day, the S-Pass+ system lighting encourages compliance with the Highway Code: pedestrian priority, appropriate speed, safety distances.

\*possibility of having the message on one or two sides





## Strengths

- Visual identification and marking of the pedestrian crossing
- Illuminated warning message
- Light settings available: flashing, variable frequency
- Stand-alone MGBS programming
- Blue light beam marking the edges of the pedestrian crossing
- High, flashing, blue light
- Motion detection
- Possibility of switching on low level spot-lights when motion is detected
- Bollard + column power supply 24V Separated extra low voltage (SELV)
- 15W low-consumption LED concept
- Interchangeable, compact, blue light source
- 50,000 hours minimum service life
- Continuous operation provided by a CAS 24V back-up power supply box
- Isolix solar power supply available

# Visual identification and marking



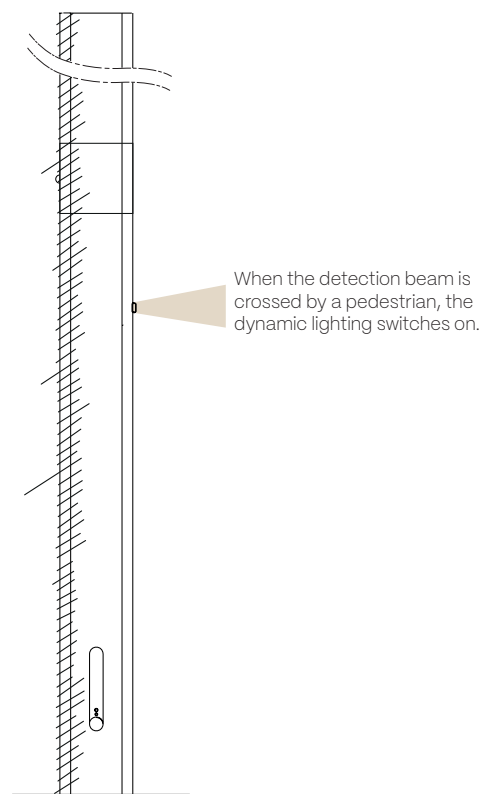




The S-Pass+ kit provides a contrast in shape and colour that makes the street furniture easy to identify. During the day, the bollards guide pedestrians to the protected crossing for more safety.

At night, the dynamic lighting shows warning markings on the S-Pass+ column and the lights on the tops of the S-Pass bollards flash.

Connected to motion detection, the illuminated message is controlled by the MGBS module embedded in the column. It supplements the blue beam on the ground which can be permanent or activated on detection.



# Highlighted safety message



**Stand-alone operation is possible on peri-urban sites or areas not supplied by the grid.**

By combining an Isolis solar-headed lamp post near an S-Pass or S-Pass+ installation, pedestrian crossings can have stand-alone, durable safety lighting.

Solar power guarantees users the same service and safety levels.

# Stand-alone solar power supply





### Guarantee lighting even if public lighting is cut.

The programmed switching off of public lighting at night or power cuts have no effect on pedestrian safety lighting.

The ground markings on pedestrian crossings remain visible and operational.

The column alert message is displayed on detection.

### The benefits of Abel:

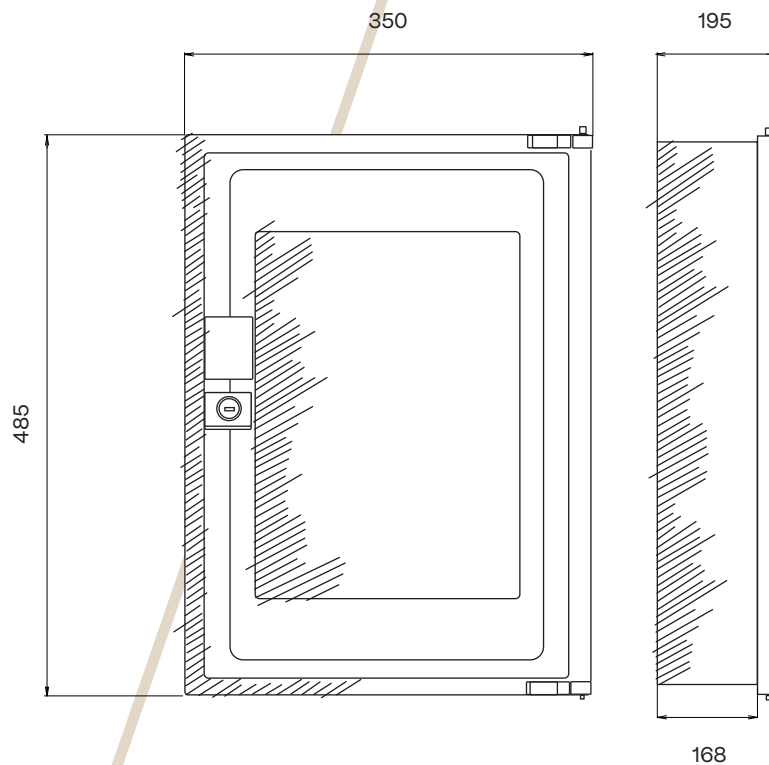
CAS24 box containing a 150W power supply and 24V battery

Can be wired to an existing S-Pass installation.

Autonomy of around 20 hours on a fully charged battery without detection.

# Back-up power supply box\*

\*available on S-Pass and S-Pass+





If the street lighting is switched off, continuity of operation is provided by the CAS 24V back-up power supply.



Non contractual photographs | September 2023 edition

Photographs : ©R-Ramshorn, ©X-Boymond, ©Castanéa, ©Google



Design & production made in France  
in our Brive-la-Gaillarde workshops.

ABEL | ZI CANA EST  
Rue François Labrousse

B.P. 70004  
19317 Brive-la-Gaillarde  
Cedex — FRANCE

Tel. +33 (0)5 55 23 07 90

[abel.brive@abeleclairage.com](mailto:abel.brive@abeleclairage.com)  
[www.abeleclairage.com](http://www.abeleclairage.com)

