



# CILLA - LED



## • RANGE

Powers and flows in LED range synoptic table.  
 Color temperature 4000K-3000K. 2700K please contact us.  
 Life span L80B10 @T<sub>a</sub>=25°C @350mA ≥ 100 000h  
 Fewer than 10% of LEDs have an outgoing flux < 80% of the initial flux at 100 000h.  
 Thermal management of LED by sensor according to driver.

## AVAILABLE OPTICS

LIGHTING type for narrow streets (ASYM 2)  
**LIGHTING type for roads (ASYM 3)**  
 LIGHTING type for avenues (ASYM 3-1)  
 LIGHTING type for parking lots (ASYM 4)  
 LIGHTING type for squares (SYM 5)

## MATERIALS – SURFACE TREATMENT

Body: die-cast aluminum  
 Standard 2100 black sanded RAL, other RAL optional  
 Baked (220°C) polyester powder coating  
 Treatment specifically for coast/shoreline p.279 on request if feasible.

## MOUNTING – CABLING

Borne: Ø60mm sleeve covering, 100 length  
 Suspended: 20x27 mm (3/4") male gas screw. 55 mm long with 20x27 mm (3/4") locknut.  
 Adaptor 20x27 – 26x34 (3/4") supplied for 26x34 (1") socket bracket, female gas screw.  
 10 available meter pre-cabled luminaire (flexible cable 2x 1.5mm<sup>2</sup>)

## INSTALLATION/MAINTENANCE

Front opening by hinge with 2 fixing screws. Replaceable driver.  
 Replaceable LED module.  
 Conditions of use p.262 and of maintenance p.278.

## RESISTANCE TO OVERVOLTAGE

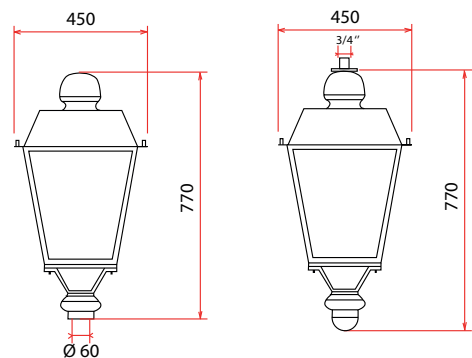
Category IV luminaire, holding to a shock wave of 6kV between phase-neutral and earth.  
 Protection against lightning 10kV-5kA between phase-neutral and earth to be provided at the base of the pole p.284.

## OPTION

For a communicating system, dual pre-cabling dedicated to communication is necessary (flexible cable 5Gx1.5mm<sup>2</sup>)  
 Transparent polycarbonate glass closing on the 4 faces.



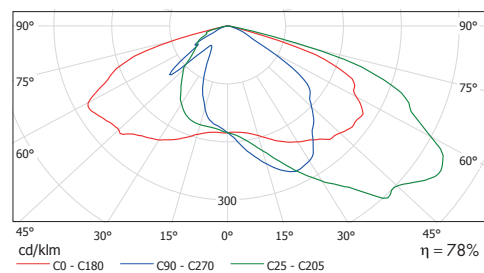
## • DIMENSIONS



• WEIGHT/SURFACE SCX: 8.5 kg/0.17 m<sup>2</sup>

## • POLAR CURVES

Lighting type for roads (ASYM 3)



## • SMART LUM

Adjusted output power			Point to point control		Autonomous group with pilot wire	Group management	Luminous points' management
P-adjust	F-Constant	Detect	Prog BP6	Prog Cycles	Prog Switch with Detect	VAR	Dali
●	●	●	●	●	●	●	●