



# BITOP - HID



## • RANGE

### Ferromagnetic power supply\*

70W MH	100W MH	150W MH
G12	G12	G12

### Electronic power supply\* - No variation

70W MH	100W MH	150W MH
G12	G12	G12

### Electronic power supply\* - SMART LUM programming

70W MH	100W MH	150W MH
G12	G12	G12

\*Gear at the foot of the column

## MATERIALS – SURFACE TREATMENT

Base and bracket: die-cast aluminum

Dome: dual colored spun aluminum

Inner side white, and upper side in RAL hue or structured paint

Reflector: polished and anodised aluminum

Floodlight pane: tempered glass

Baked (220°C) polyester powder coating

RAL hues or other structured paint optional

Paint treatment specifically for coast/shoreline p. 279.

## MOUNTING

Mounting on column with Ø60mm maxi socket, 70mm length  
Luminaire base Ø120mm

## INSTALLATION/MAINTENANCE

Lamp access by unscrewing 4 screws.

Replaceable gear plate at foot of the column.

Standard protection features against overvoltage (TOV)  
between phase and neutral (L-N) 4kV-2KA.

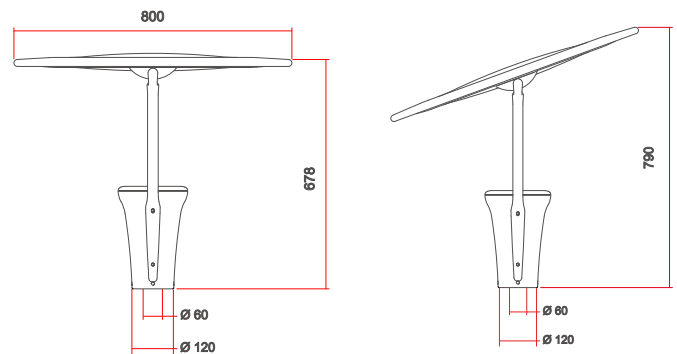
Lightening arrestor between phase neutral and earth (L-N-G)

10kV-5kA required at the foot of the column p. 284.

Conditions of use p. 262 and of maintenance p. 278.

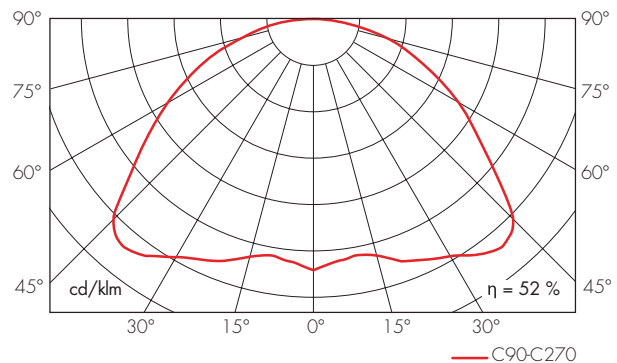


## • DIMENSIONS



• WEIGHT /SURFACE SCX: 9kg/0.07 m<sup>2</sup> horizontal  
0.21 m<sup>2</sup> tilted

## • POLAR CURVES



## • SMART LUM

Adjusted output power			Point to point control		Autonomous group with pilot wire	Group management	Luminous points' management
P-adjust	F-Constant	Detect	Prog BP6	Prog Cycles	Prog Switch with Detect	VAR	Dali
●	●	—	●	●	—	●	●