



CILLA - HID



• RANGE

Ferromagnetic power supply

50-70W HPS 50-70W MH	100W HPS 100W MH	150W HPS 150W MH
E27	E40	E40

Electronic power supply - No programming

45-60 W CPO	50-70W HPS 50-70W MH	90W CPO	100W HPS 100W MH	140W CPO	150W HPS 150W MH
PGZ12	E27	PGZ12	E40	PGZ12	E40

Electronic power supply - SMART LUM programming

45-60W CPO	50-70W HPS 50-70W MH	90W CPO	100W HPS 100W MH	140W CPO	150W HPS 150W MH
PGZ12	E27	PGZ12	E40	PGZ12	E40

MATERIALS - SURFACE TREATMENT

Body in die-cast aluminum.

Standard RAL sanded black 2100, other RAL optional.

Baked (220°C) polyester powder coating.

Treatment specifically for coast/shoreline p. 279 upon study.

MOUNTING

Borne: Ø60mm sleeve covering, 100 mm length

Suspended: 20x27 fixings (3/4") male tube section, 55 mm long with 20x27 locknut (3/4").

Adaptor 20x27-26x34 (3/4"-1") supplied for 26x34 (1") socket bracket, female tube section.

INSTALLATION/MAINTENANCE

Opening by front hinge using 2 fixing screws to reach lamp and gear. Field replaceable power.

Standard protection features against overvoltage (TOV) between phase and neutral (L-N) 4kV-2Ka.

Lightening arrester between phase neutral and earth (L-N-G) 10kV-5kA required at the foot of the column or on façade p. 284.

Conditions of use p. 262 and of maintenance p. 278.

OPTION

Pre-cabled luminaire with 10 available meter (flexible cable 2x1.5mm²)

For a communicating system, point to point pre-cabling dedicated to communication (flexible cable 5Gx1.5mm²).

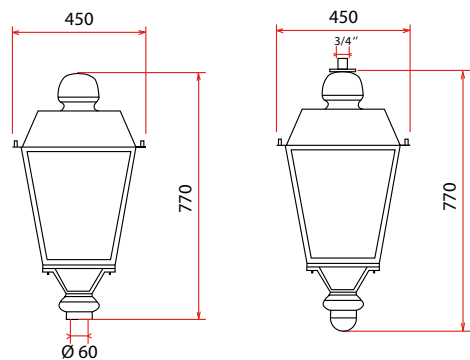
Transparent polycarbonate glass closing on the 4 faces.

• SMART LUM

Adjusted output power			Point to point control		Autonomous group with pilot wire	Group management	Luminous points' management
P-adjust	F-Constant	Detect	Prog BP6	Prog Cycles	Prog Switch with Detect	VAR	Dali
●	●	●	●	●	●	●	●



• DIMENSIONS



- WEIGHT WITHOUT GEAR/SURFACE SCX: 8.5kg/0.17 m²
- Weight of gear p. 266.

• POLAR CURVES

