



FEEZE M AS STANDARD / PACEO DUO / 6000R / CILLA / ELLO LUMINAIRE

Colour temperature : 2200K – 2700K – 3000K.

Up to 38W 16 led – up to 72W 32 led* see synoptic table

*The power of the luminaire is determined with the solar study.

Luminaire efficiency up to 140 lm/W (LED card 190 lm/W).

Lifespan L80 @ $t_q=25^{\circ}\text{C} \geq 100,000\text{h}$.

LED module to Zhaga standard.

STANDARD OPTICS

Lighting type road (ASYM N3 ou ASYM 3+)

Lighting type for narrow path (ASYM 1)

Lighting type for narrow street (ASYM 2, ASYM 2+, or ASYM 2-1)

Lighting type for avenues (ASYM 3-1 or ASYM 4+)

Lighting type for parking lots (ASYM 4)

Lighting type for pedestrian crossing

Other distributions available upon request.

MATERIALS — SURFACE TREATMENT

Feeze M body: die-cast aluminum.

Feeze M basin: flat tempered glass.

Mast head in black RAL 9005 aluminum.

RAL of your choice for luminaire, bracket and mast.

Baked polyester powder paint.

Optional specific seaside treatment.

FIXING – WIRING

Luminaire inclined at 5° on $\varnothing 60$ long bracket. 500mm.

Solar mast head and luminaire to be fixed on masts from $\varnothing 60$ to 90

mm. Contact us for choice of mast according to wind zone with specific

sealing rods. Height 4 to 8 m (fire height +0.20m).

POWERBOX – BATTERIES

1 IP66 Powerbox in single and double fire for:

- 2 batteries (2P=624 Wh)

- 3 batteries (3P=936 Wh)

- 4 batteries (4P=1248 Wh)

NiMH technology ($-20^{\circ}\text{C}/+60^{\circ}$)

Nominal lifespan 10 years. 5 year warranty.

Power box wiring via IP 67 connectors with keying.

SOLAR PANEL

360° orientation. Fixed tilt of 20° as standard.

Monocrystalline technology. Power of 250 Wp.

Complies with IEC 61215.

NORMS AND CERTIFICATIONS

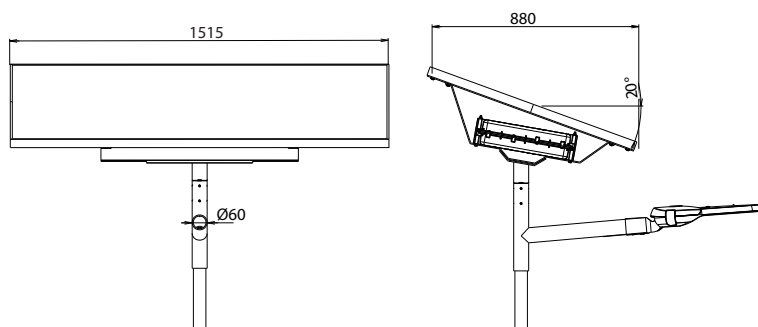
EN 60598-1/2-3 Luminaires: general requirements and tests – Public lighting luminaires

EN 62722-2-1 Performance of luminaires: Requirements for LED luminaires

UTE C15-712-2 Practical guide – Stand-alone photovoltaic installations not connected to the public distribution network with battery storage

EN 40-6 Specification for aluminum public lighting poles

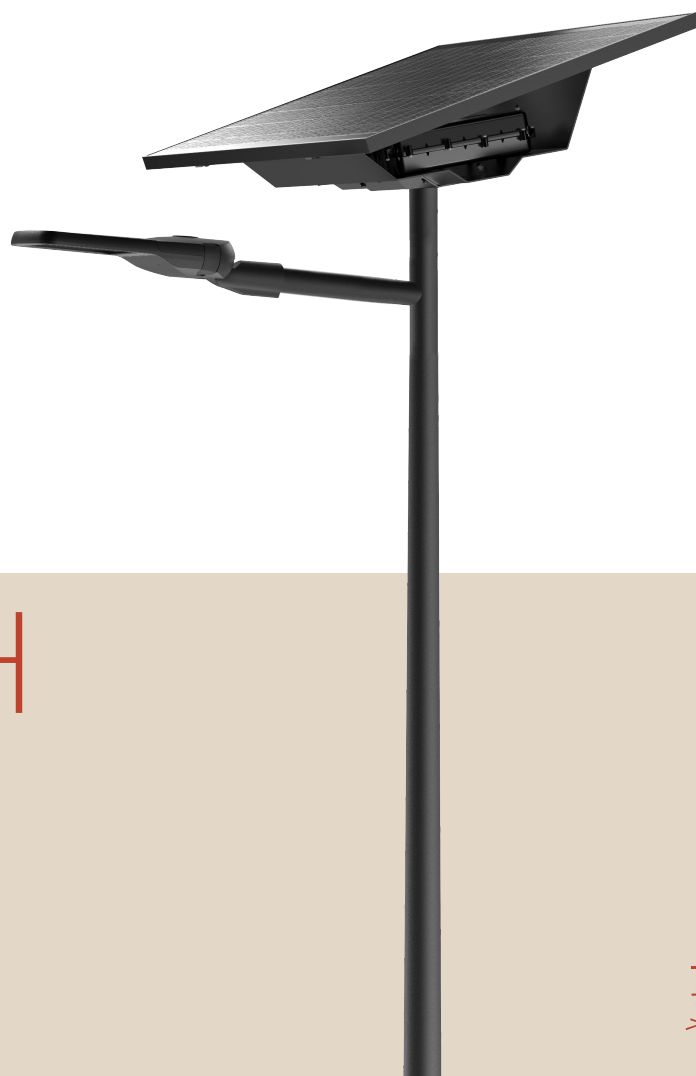
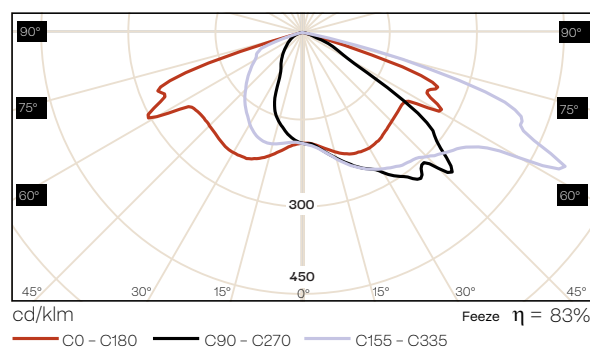
DIMENSIONS



WEIGHT/SURFACE SCX : 60 kg/0,80 m²

POLAR CURVES

Lighting type for roads (ASYM N3) as standard.



Isolis 3 NiMH

Standard programming

- Autonomous mode

Options

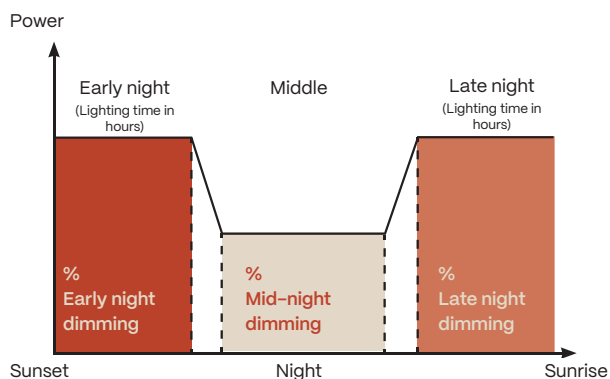
- Detect function

- Smartlum Dialog functions

- Smartlum Dialog + Detect functions

Details of features on the back.

Standard Autonomous mode



The lighting turns on at nightfall and turns off at sunrise following a power variation cycle.

The Autonomous mode cycle of the Isolis 3 in standard version includes 3 factory-set levels only. The powers for each period of the night, and the start and end of night durations are determined according to need.

Detect function (optional)

In Autonomous mode, a motion sensor (infra-red technology) is integrated into the luminaire or remote on the mast. The lighting varies upon detection of movement (person or slow vehicle).

The settings are made at the factory: the setpoint after detection, the 3 levels, and the ignition duration according to the chosen specifications.

Default timeout 30 seconds.

Smartlum Dialog functions (optional)

GPS, radio and Smart Dimming modules are added to Autonomous mode.

The GPS module allows you to retrieve the date and time from the integrated GPS for

- Have a weekly calendar mode. The luminaire illuminates according to the period and intensity defined hour by hour throughout the year.
- Have a Weekend Calendar mode. Different lighting times are set during the weekend (Friday, Saturday, Sunday).
- Have a programmed switch-off at a fixed time during the night.

The radio module allows you to communicate with the luminaire for:

- Have synchronized switching on/dimming or switching off
- Allow on-site programming via wifi via a web browser with a smartphone, tablet or computer without any specific application or internet connection
- Define groups and transmit by radio all parameters common to all luminaires in the same group

Smart Dimming allows you to adapt the power without interruption of the lighting, depending on the battery charge, the need and the length of the night.

Detect + Smartlum Dialog functions (optional)

A motion sensor is added to the Smart Lum Dialog functions to

- Have the **DETECT + GROUP** function. When movement is detected by a luminaire, the selected group(s) of luminaire(s) have synchronized switching on/dimming or switching off
- Have the **DETECT + LIGHT PATH** function. When movement is detected by a light, nearby lights gradually light up along the road to create a light path.
- Have the **DETECT** function at the light point with on-site programming via wifi

Isolis 3 NiMH



Solar panel up to 94%.
Batteries recycling channels
for adequate treatment.
Lighting + PowerBox up to 99%.