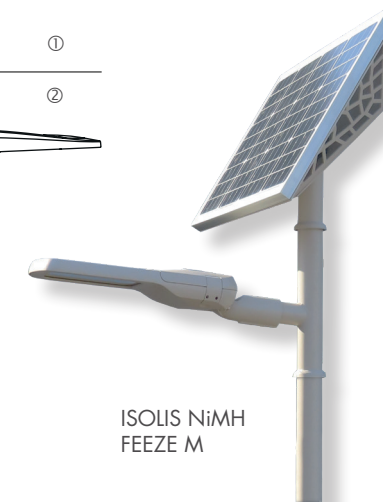
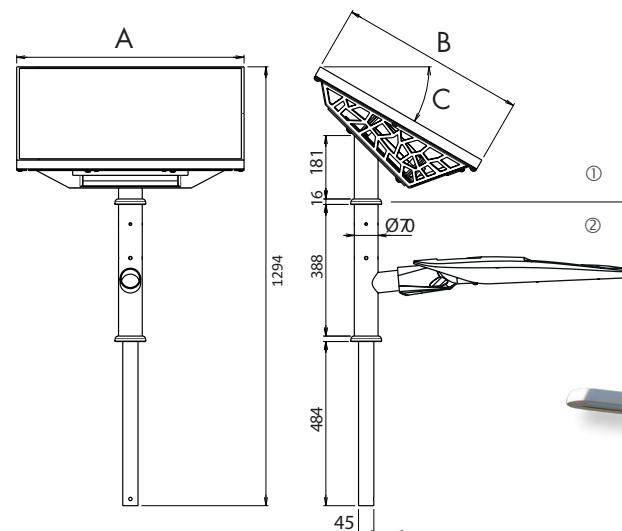




OVERALL INFORMATION		
Material and surface treatment	Masthead in aluminum - Color RAL gray 2900 sablé as standard - Other RAL on request. Polyester powder paint baked at 220 ° (seafront and seaside on request).	
Nominal power	19W	
LED		
Lifetime	L80 > 50 000 hours @700mA @Tq=25°C L70 > 60 000 hours @500mA @Ta=55°C	
Manufacturer	PHILIPS/OSRAM	
Lumen/Watt efficiency/Color T°	See range PhotoLight Isolis NiMH synoptic	
LIGHTING		
Outgoing nominal flow Optical performance Luminaire nominal efficiency Optics	See range PhotoLight Isolis NiMH synoptic	
BATTERY		
Protection index		IP66 - cabling via IP68
Battery weight		5 kg or 9kg
Total power	264 Wh or 528 Wh	
Voltage / Nominal capacity	12V/22 Ah or 24V/22Ah	
Nominal lifetime	10 years	
PHOTOVOLTAIC PANELS		
Technology	Monocrystalline	
Solar capacity and MPPT voltage	See table on the right	
Panel tilt	30° or 60° with 360° revolution regardless of the position of the luminaire	
Compliance	Norm IEC 61215	
PROGRAMMING		
	SMART LUM = factory configured on demand	
DETECT		
	Activates lighting after motion detection. Motion detection sensor integrated into the luminaire. Infrared technology. Default timeout 30 seconds, set at the factory.	
AUTONOMOUS		
	The light turns on at dusk and turns off at dawn. Three time periods (beginning, middle, end of night) are available to set lighting power level.	
ELECTRONIC CARD		
	SMART LUM	
Battery Management (BMS)	Yes	
Solar Charger	Yes	
Movement detector	Infrared, detection up to 10m	
COMPLIANCE		
Norms and certifications	EN 60598-1 / 2-3 Lighting: General requirements and tests - Public lighting luminaires EN 62722-2-1 Performance of luminaires: Requirements for LED luminaires UTE C15-712-2 Practical guide - Stand-alone photovoltaic installations not connected to the public distribution network with battery storage EN 40-6 Specification for aluminum public lighting candelabra	
INSTALLATION		
Mounting	Luminaire tilted at 5° on Ø60 and 200 mm long sleeve. Mast head composed of photovoltaic panel ① and luminaire ② to be fixed on Ø60 to 76 mm masts (interior 48,5 mm minimum). Contact us to choose the mast according to the wind zone with specific sealing rods.	
Battery location	At the back of the photovoltaic panel.	
OPERATING TEMPERATURE		
	Operating temperature range: -20°C to 80°C	
AUTONOMY		
	According to location. On study.	



ISOLIS NiMH
FEEZE M

Dimensions/weight/MPPT voltage/SCX

MPPT voltage	Solar panel capacity	A (mm)	B (mm)	C panel tilt	Weight ①+②	SCX
18V	80W	770	670	30°/60°	46.5 kg	0.64 m ²
36V	100W	1100	670	30°/60°	46.6 kg	0.88 m ²
36V	160W	1340	770	30°/60°	56 kg	1.2 m ²

Photometric curves

ASYM 3 optics (standard lighting type for roads)

