



## OVERALL INFORMATION

**Material and surface treatment** Masthead in aluminum - Color RAL gray 2900 sablé as standard - Other RAL on request. Polyester powder paint baked at 220 ° (seafront and seaside on request).  
**Nominal power** 38W

## LED

**Lifetime** L80 > 50 000 hours @700mA @Tq=25°C  
 L70 > 60 000 hours @500mA @Ta=55°C  
**Manufacturer** PHILIPS/OSRAM  
**Lumen/Watt efficiency/Color T°** See range PhotoLight Isolis NiMH synoptic

## LIGHTING

**Outgoing nominal flow**  
**Optical performance**  
**Luminaire nominal efficiency**  
**Optics** } See range PhotoLight Isolis NiMH synoptic

## BATTERY

**Protection index** IP66 - cabling via IP68  
**Battery weight** 5 kg or 9kg  
**Total power** 264 Wh or 528 Wh  
**Voltage / Nominal capacity** 12V/22 Ah or 24V/22Ah  
**Nominal lifetime** 10 years

## PHOTOVOLTAIC PANELS

**Technology** Monocrystalline  
**Solar capacity and MPPT voltage** See table on the right  
**Panel tilt** 30° or 60° with 360° revolution regardless of the position of the luminaire  
**Compliance** Norm IEC 61215

## PROGRAMMING

**SMART LUM** = factory configured on demand

## DETECT

Activates lighting after motion detection. Motion detection sensor integrated into the luminaire. Infrared technology. Default timeout 30 seconds, set at the factory.

## PROG CYCLES

Pre-programmed lighting cycles set only at the factory.

## ELECTRONIC CARD

SMART LUM

**Battery Management (BMS)** Yes  
**Solar Charger** Yes  
**Movement detector** High-frequency, detection up to 10m

## COMPLIANCE

**Norms and certifications** EN 60598-1 / 2-3 Lighting: General requirements and tests - Public lighting luminaires  
 EN 62722-2-1 Performance of luminaires: Requirements for LED luminaires  
 UTE C15-712-2 Practical guide - Stand-alone photovoltaic installations not connected to the public distribution network with battery storage  
 EN 40-6 Specification for aluminum public lighting candelabra

## INSTALLATION

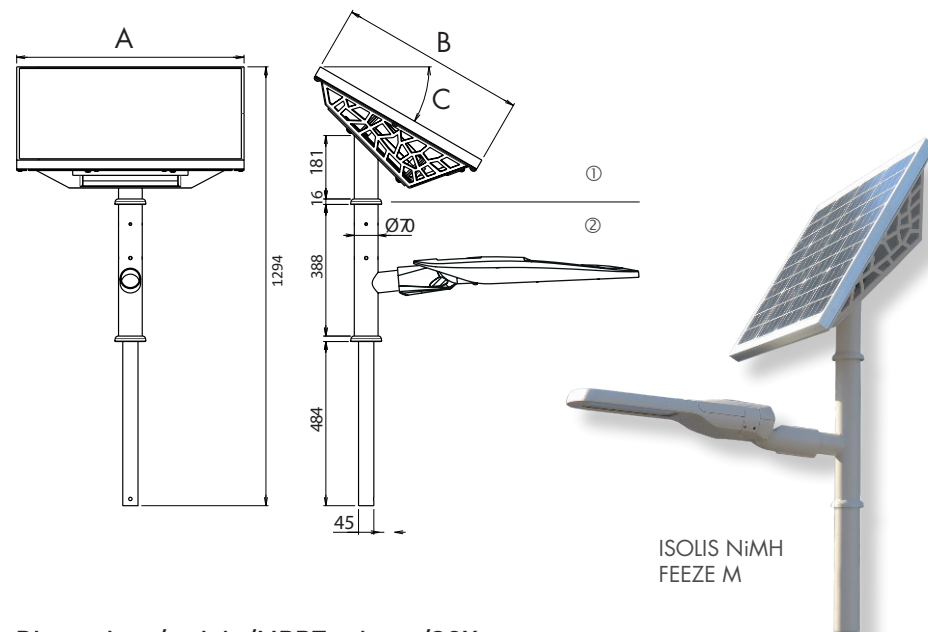
**Mounting** Luminaire tilted at 5° on Ø60 and 200 mm long sleeve. Mast head composed of photovoltaic panel ① and luminaire ② to be fixed on Ø60 to 76 mm masts (interior 48.5 mm minimum). Contact us to choose the mast according to the wind zone with specific sealing rods.  
**Battery location** At the back of the photovoltaic panel.

## OPERATING TEMPERATURE

Operating temperature range: -20°C to 80°C

## AUTONOMY

According to location and orientation of the luminaire - See table of use



## Dimensions/weight/MPPT voltage/SCX

MPPT voltage	Solar pannel capacity	A (mm)	B (mm)	C panel tilt	Weight ①+②	SCX
18V	80W	770	670	30°/60°	46.5 kg	0.64 m <sup>2</sup>
36V	100W	1100	670	30°/60°	46.6 kg	0.88 m <sup>2</sup>
36V	160W	1340	770	30°/60°	56 kg	1.2 m <sup>2</sup>

## Photometric curves

ASYM 3 optics (standard lighting type for roads)

