

CILLA - LED



RANGE

Powers and flows in LED range synoptic table.
 Colour temperatures: 2200K - 2700K - 3000K - 4000K.
 Life span L80 @350mA @t_a=25°C ≥ 120 000h.
 Fewer than 50% of LEDs have an outgoing flux inferior to 80% of the initial flux at 120 000h.
 Thermal management of LED.
 Zhaga standard LED module.

AVAILABLE OPTICS:

LIGHTING type for narrow streets (ASYM 2 or 2-1)
LIGHTING type for roads (ASYM 3)
 LIGHTING type for avenues (ASYM 3-1)
 LIGHTING type for parking lots (ASYM 4)
 LIGHTING type for squares (SYM 5)
 *without polycarbonate glass closure

MATERIALS – SURFACE TREATMENT

Body: die-cast aluminum;
 Choice of RAL.
 Baked (220°C) polyester powder coating;
 Treatment specifically for coast/shoreline on request if feasible.

MOUNTING – CABLING

Top mounting: Ø60mm sleeve covering, 100 mm length.
 Suspended: 20x27 mm (3/4") male gas screw. 55 mm long with 20x27 mm (3/4") locknut.
 Adaptor 20x27 – 26x34 (3/4") supplied for 26x34 (1") socket bracket, female gas screw.
 10 available meter pre-cabled luminaire (flexible cable 2x 1.5mm²).

INSTALLATION/MAINTENANCE

Front opening by hinge with 2 fixing screws. Replaceable driver.
 Replaceable LED module.
 Conditions of use and maintenance available upon request.

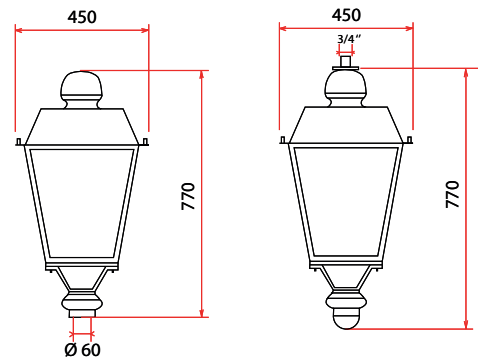
RESISTANCE TO OVERVOLTAGE

Category IV luminaire, holding to a shock wave of 6kV between phase-neutral and earth.
 Surge protection device (SPD) 10kV-5kA between phase-neutral and earth to be provided at the base of the pole.

OPTION

For a communicating system, dual pre-cabling dedicated to communication is necessary (flexible cable 5Gx1.5mm²)
 Transparent polycarbonate glass closing on the 4 faces.

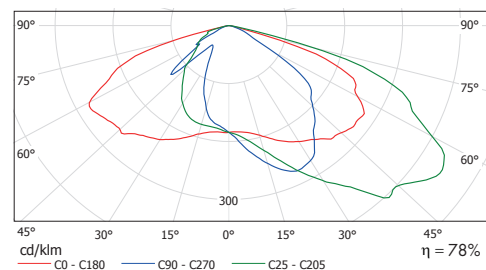
• DIMENSIONS



• WEIGHT/SURFACE SCX: 8.5 kg/0.17 m²

• POLAR CURVES

Lighting type for roads (ASYM 3) as standard



• SMART LUM

Adjusted output power			Point to point control		Autonomous group with pilot wire	Group management	Luminous points' management
P-adjust	F-Constant	Detect	Prog BP6	Prog Cycles	Prog Switch with Detect	VAR	Dali
●	●	●	●	●	●	●	●