

# 6000-R-LED



## RANGE

Powers and flows in LED range synoptic table.  
 Colour temperatures: 2200K - 2700K - 3000K - 4000K.  
 Life span L80 @350mA @ $t_a=25^{\circ}\text{C} \geq 120\ 000\text{h}$ .  
 Fewer than 50% of LEDs have an outgoing flux inferior to 80% of the initial flux at 120 000h.  
 Thermal management of LED.  
 Zhaga standard LED module.

## 5 OPTICS AVAILABLE

LIGHTING type for narrow streets (ASYM 2)  
**LIGHTING type for roads (ASYM 3)**  
 LIGHTING type for avenues (ASYM 3-1)  
 LIGHTING type for parking lots (ASYM 4)  
 LIGHTING type for pedestrian crossing

## MATERIALS - SURFACE TREATMENT

Body: die-cast aluminum  
 Bowls: flat tempered glass  
 Choice of RAL colours.  
 Baked (220°C) polyester powder coating  
 Optional treatment specifically for coast/shoreline.

## MOUNTING – CABLING

Reversible top/side fixation  
 Top mounting on column  $\varnothing 60\text{-}62\text{mm}$  with  $0^{\circ}$ ,  $5^{\circ}$  and  $10^{\circ}$  tilt or side mounting on tubular bracket  $\varnothing 60\text{-}62\ \text{mm}$  90 mm length with  $0^{\circ}$ ,  $-5^{\circ}$  et  $-10^{\circ}$  negative tilt relatively to the bracket.  
 Adapter sleeves for  $\varnothing 42$  and  $\varnothing 49$  bracket arms in option.  
 10 available meter pre-cabled luminaire (flexible cable  $2 \times 1.5\text{mm}^2$ )

## INSTALLATION – MAINTENANCE

Captive screws' opening. Replaceable driver.  
 Replaceable LED module.

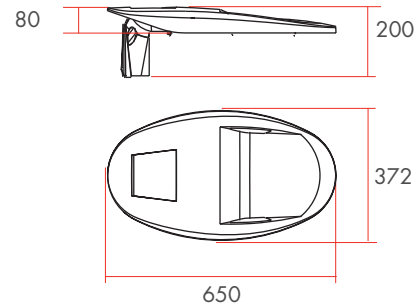
## RESISTANCE TO OVERVOLTAGE

**Category IV** luminaire, holding to a shock wave of **6kV** between phase-neutral and earth.  
 Surge protection device (SPD) **10kV-5kA** between phase-neutral and earth to be provided at the base of the pole.

## SMART LUM

Adjusted output power			Point to point control		Autonomous group with pilot wire	Group management	Luminous points' management
●	●	● Remote sensor	●	●	●	●	●

## • DIMENSIONS

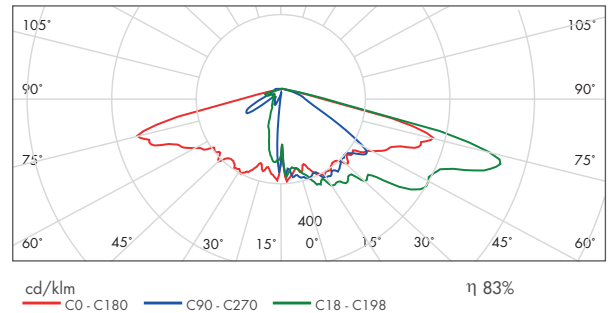


Adjustable luminaire tilt in top and side mounting

• WEIGHT/SURFACE SCX: 9,5kg/0,04 m<sup>2</sup>

## • POLAR CURVES

Lighting type for roads (ASYM 3) as standard



## OPTION

For a communicating system, dual pre-cabling dedicated to communication is necessary (flexible cable  $5\text{G} \times 1.5\text{mm}^2$ )  
 Lampshield for rear flow management.