



VERSO - LED



• RANGE

Powers and flows in LED range synoptic table.
 Color temperature 4000K-3000K. 2700K please contact us.
 Life span L80B10 @T_a=25°C @350mA ≥ 100 000h
 Fewer than 10% of LEDs have an outgoing flux < 80% of the initial flux at 100 000h.
 Thermal management of LED by sensor according to driver

AVAILABLE OPTICS:

LIGHTING type for squares (SYM 5)

- LIGHTING type for narrow streets (ASYM 2)
- LIGHTING type for roads (ASYM 3)
- LIGHTING type for avenues (ASYM 3-1)
- LIGHTING type for parking lots (ASYM 4)

MATERIALS – SURFACE TREATMENT

Body: die-cast aluminum
 Bowl: PMMA impact resistant
 Standard colour grey sanded 2900 or other RAL on request
 Baked (220°C) polyester powder coating
 Optional treatment specifically for coast/shoreline p.279.

MOUNTING – CABLING

Mounting on tube Ø60-62mm 70mm length (outer Ø of the mount Ø89mm).
 6 available meter pre-cabled luminaire (flexible cable 2x 1.5mm²).

INSTALLATION/MAINTENANCE

Access by superior dome using 2 stainless steel captive screws.
 Replaceable driver. Replaceable LED module.
 Conditions of use p.262 and of maintenance p.278.

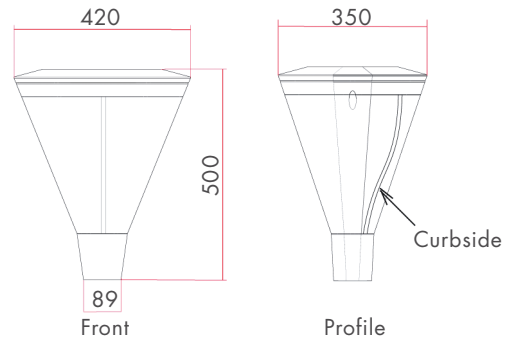
RESISTANCE TO OVERVOLTAGE

Category IV luminaire, holding to a shock wave of 6kV between phase-neutral and earth.
 Protection against lightning 10kV-5kA between phase-neutral and earth to be provided at the base of the pole p.284.

OPTION

For a communicating system, dual pre-cabling dedicated to communication is necessary (flexible cable 5Gx1.5mm²).

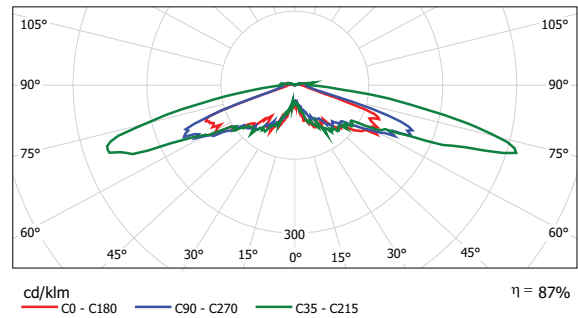
• DIMENSIONS



• WEIGHT/SURFACE SCX: 7kg/0.07 m²

• POLAR CURVES

Standard lighting type for public squares (SYM 5)



• SMART LUM

Adjusted output power			Point to point control		Autonomous group with pilot wire	Group management	Luminous points' management
P-adjust	F-Constant	Detect	Prog BP6	Prog Cycles	Prog Switch with Detect	VAR	Dali
●	●	● Remote PIR sensor	●	●	●	●	●